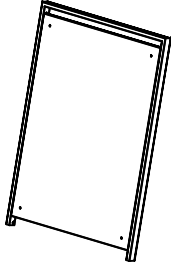
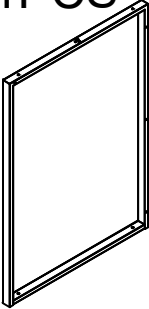
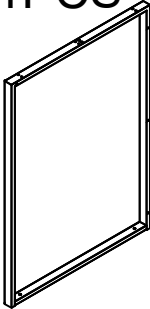
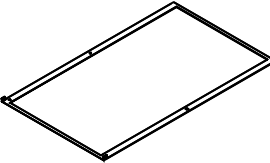
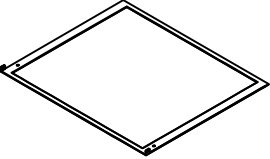
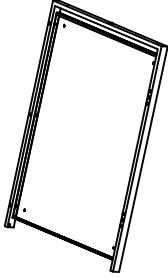
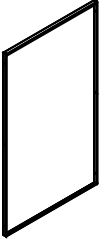

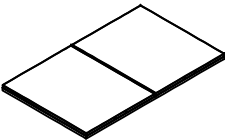
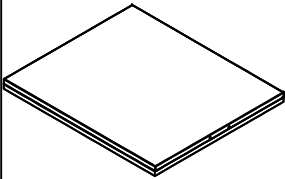


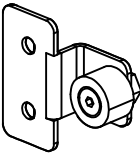
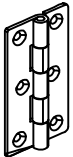
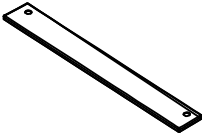
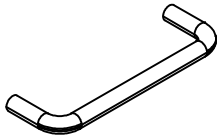
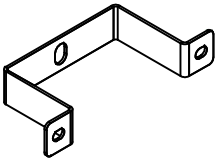




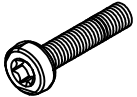

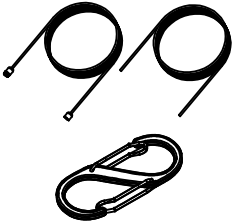
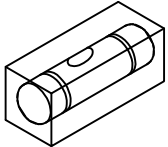
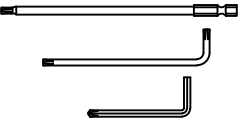

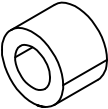
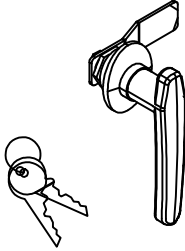
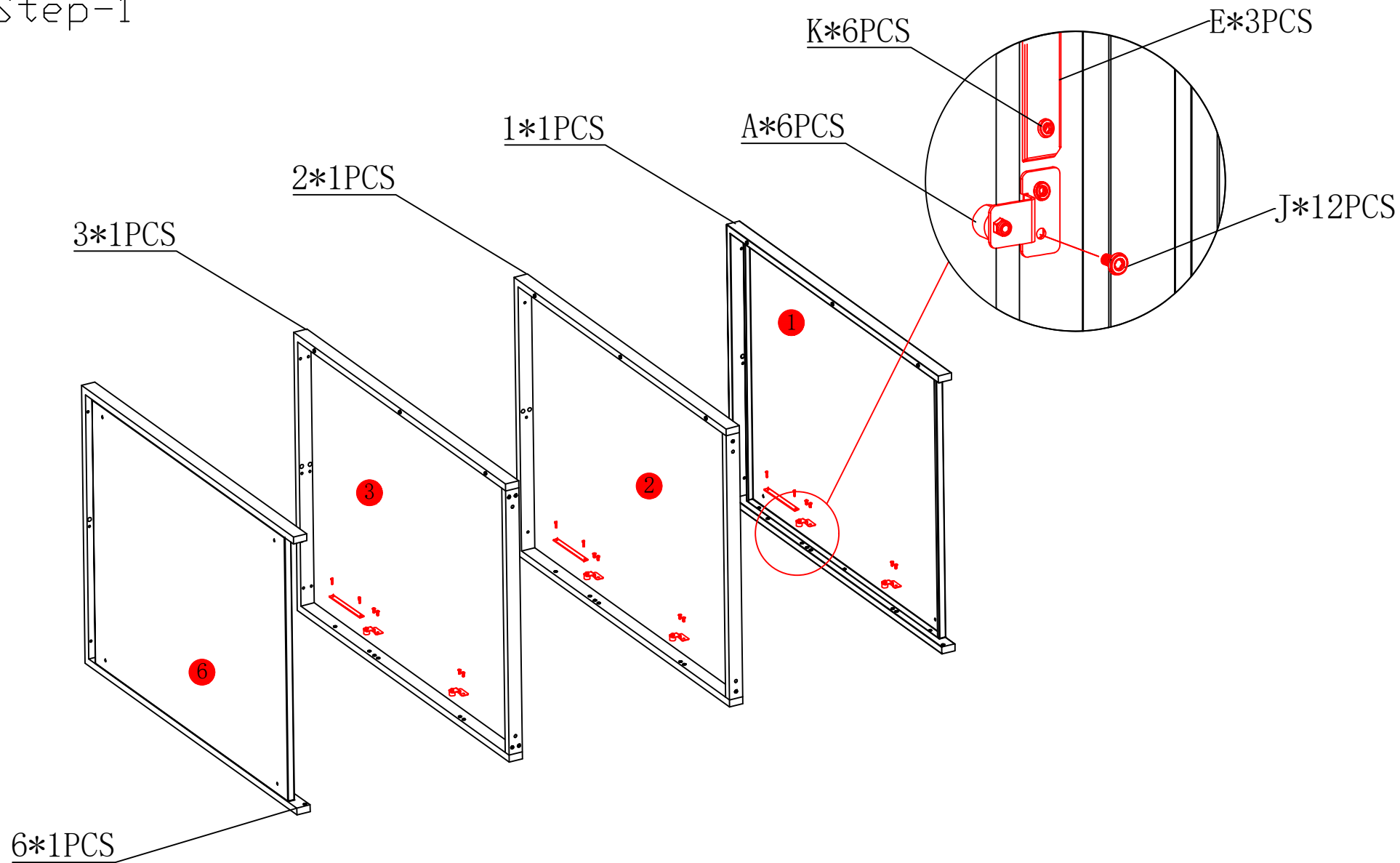
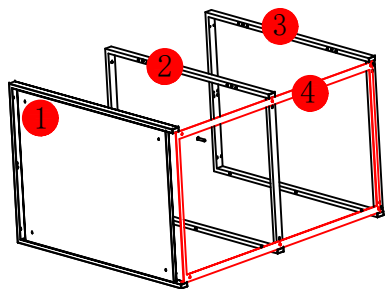


1*1PCS 	2*1PCS 	3*1PCS 	4*1PCS 	5*1PCS 	6*1PCS 	7*2PCS  1014*598*20mm	
8*1PCS  1014*623*20mm	9*1PCS 	10*1PCS 	11*2PCS  1014*580*22mm	12*1PCS  1014*605*22mm	A*6PCS 	C*6PCS 	
E*3PCS 	F*3PCS 	G*3PCS 	H*6PCS 	I*8PCS 	J*30PCS  M4*10mm	K*16PCS  M4*20mm	L*15PCS  M4*30mm
M*46PCS  M4*14mm	N*3PCS 	O*1PCS 	P*1PCS 	Q*4PCS 	R*4PCS 	S*3PCS 	

Step-1



Step-2

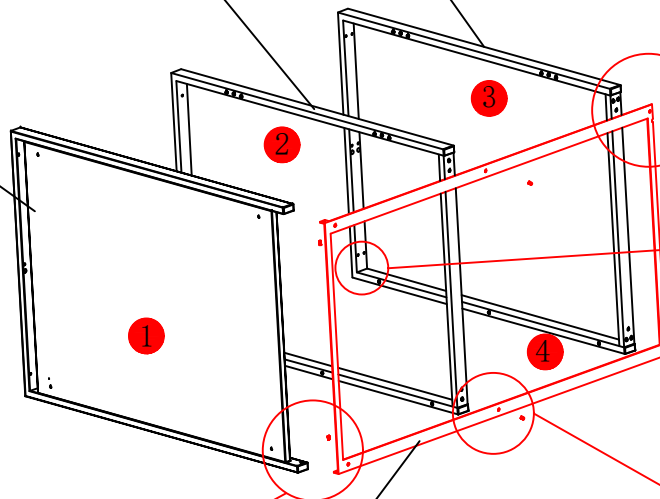


1*1PCS

2*1PCS

3*1PCS

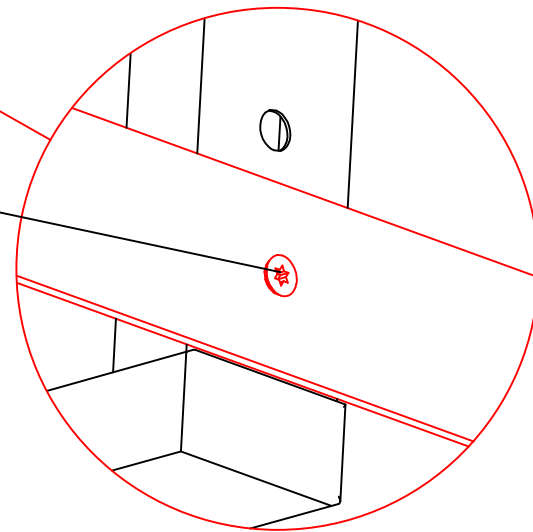
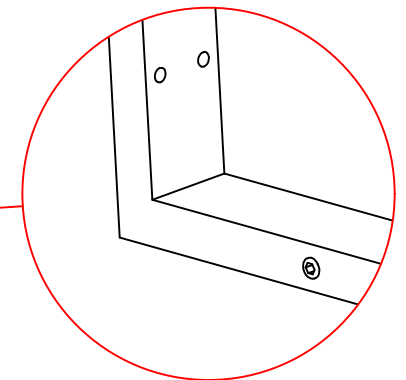
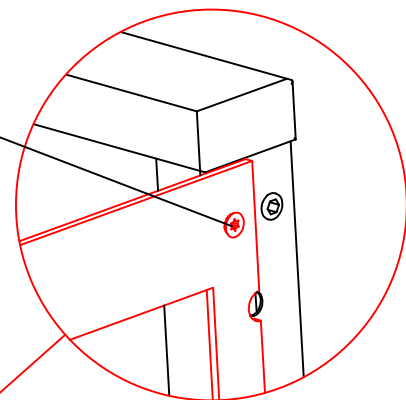
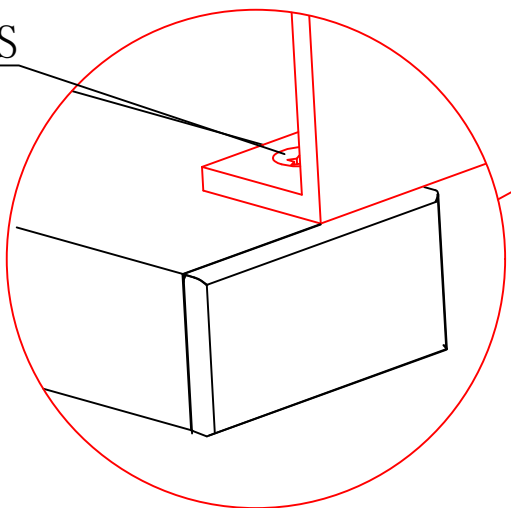
M*2PCS



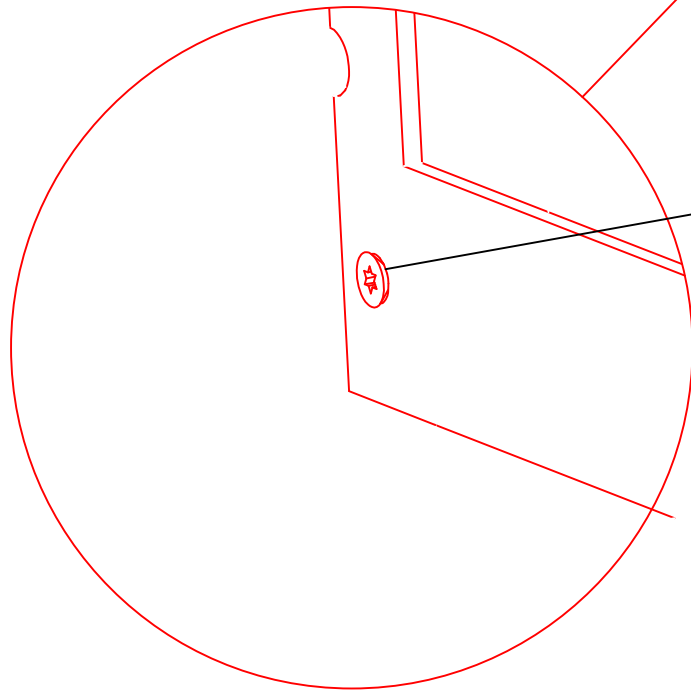
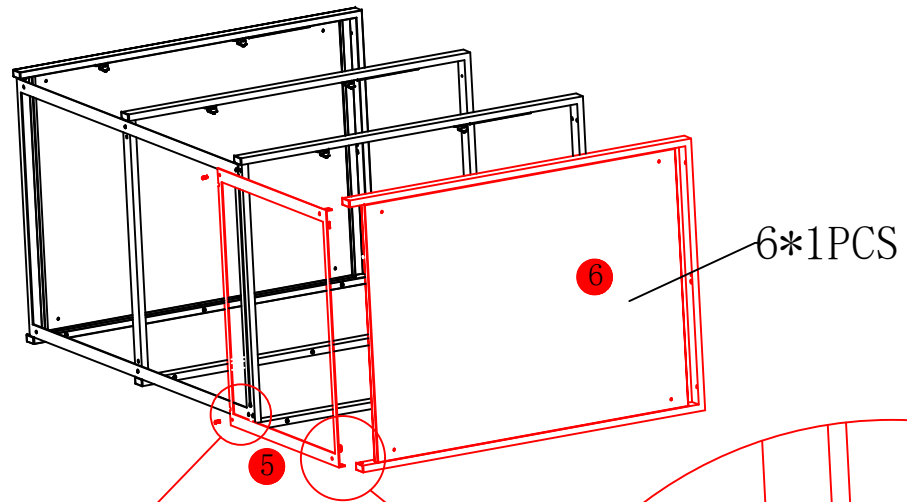
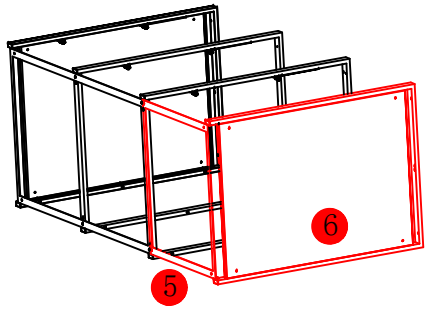
M*2PCS

4*1PCS

M*2PCS

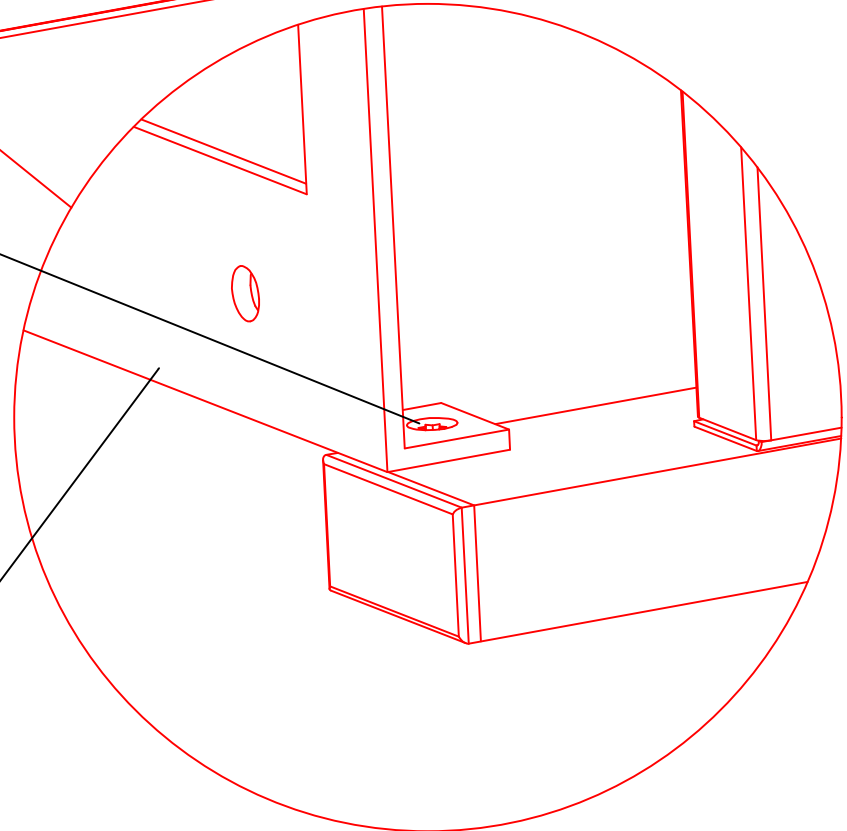


Step-3



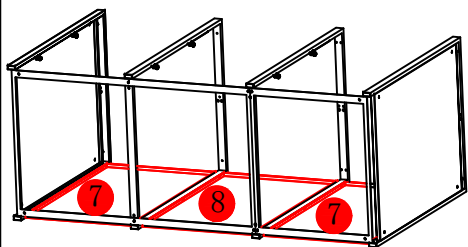
M*2PCS

M*2PCS

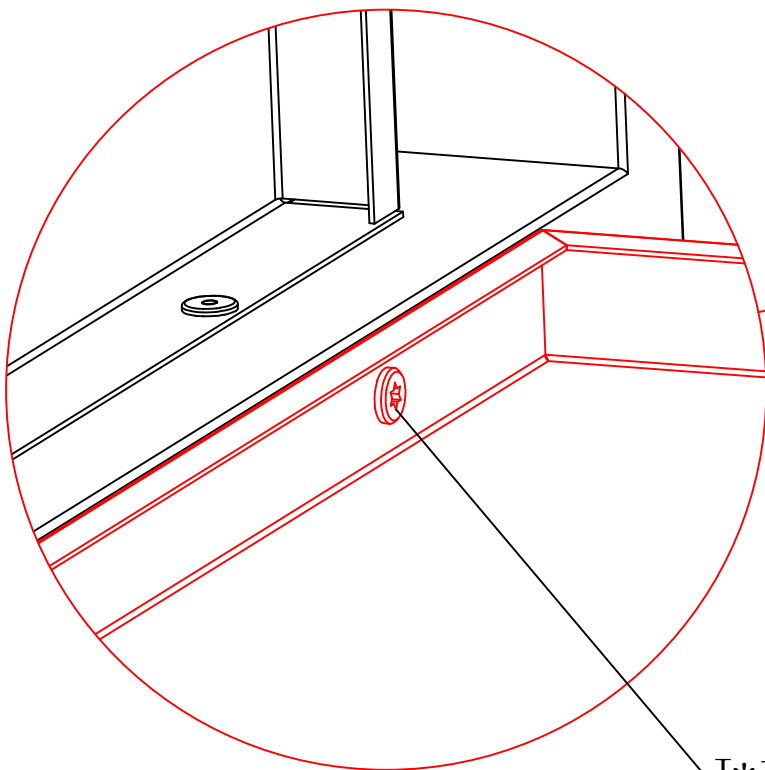
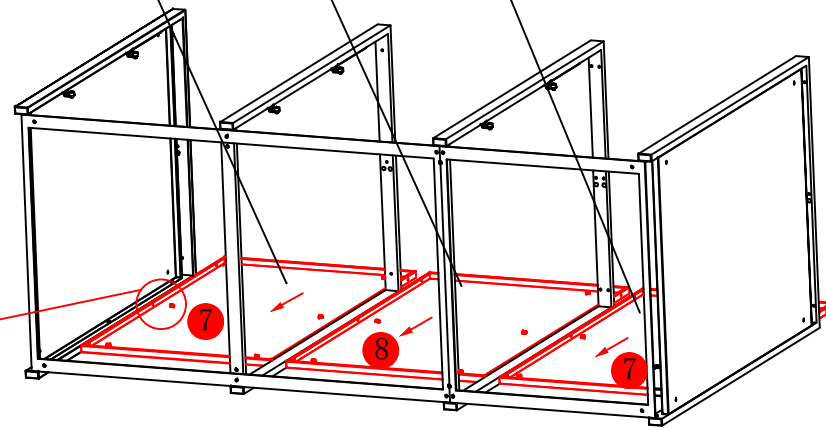


5*1PCS

Step-4

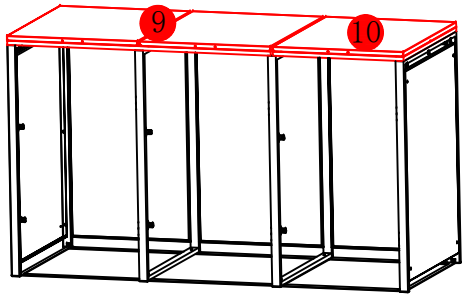


7*1PCS 8*1PCS 7*1PCS



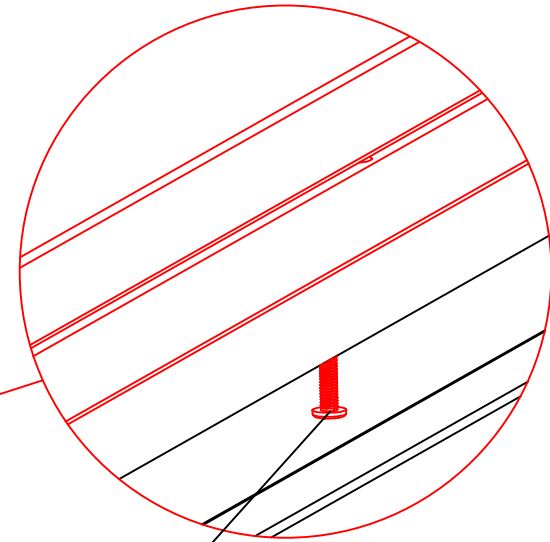
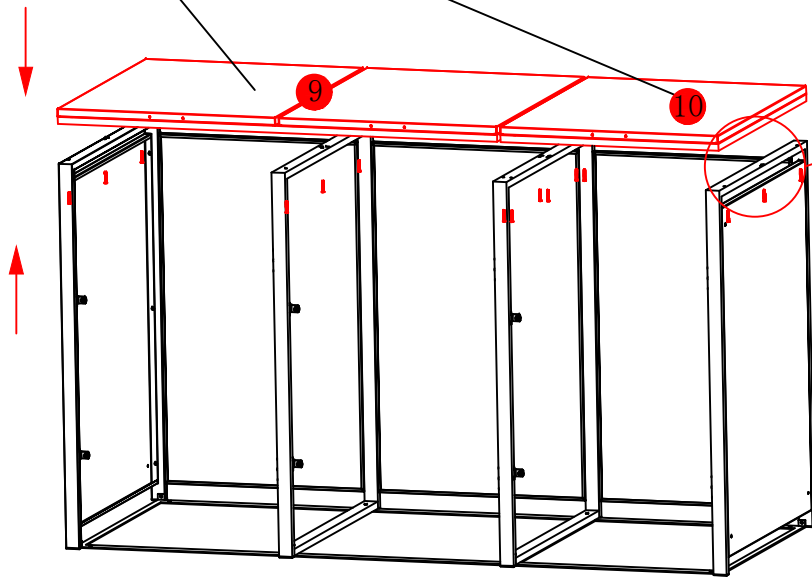
J*18PCS

Step-5



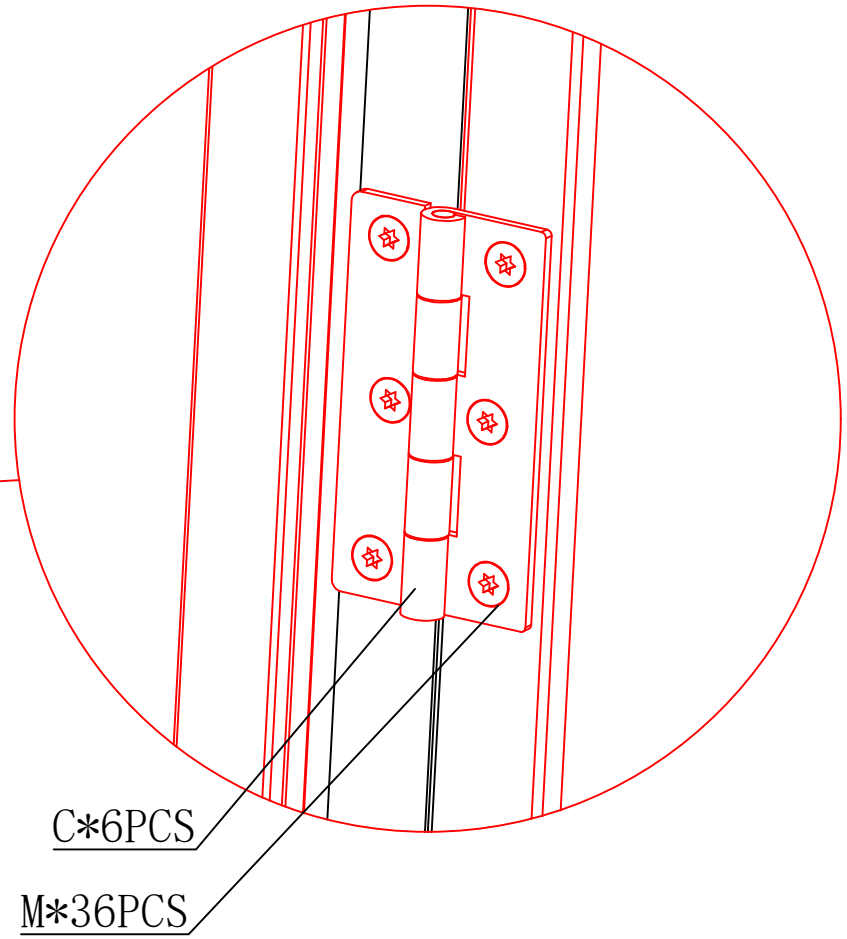
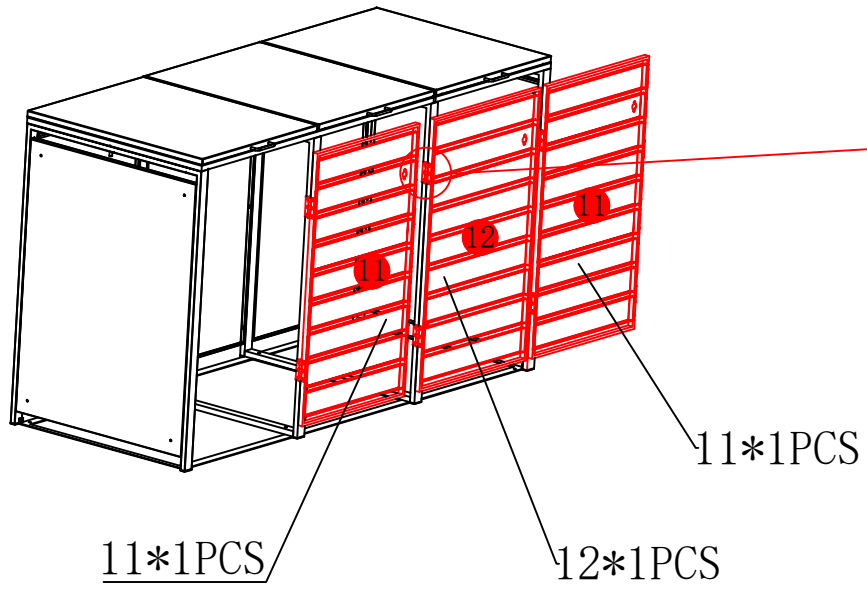
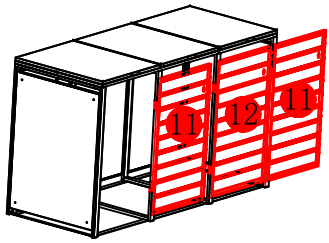
9*1PCS

10*1PCS

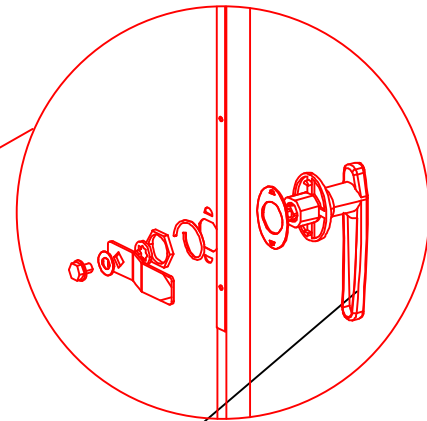
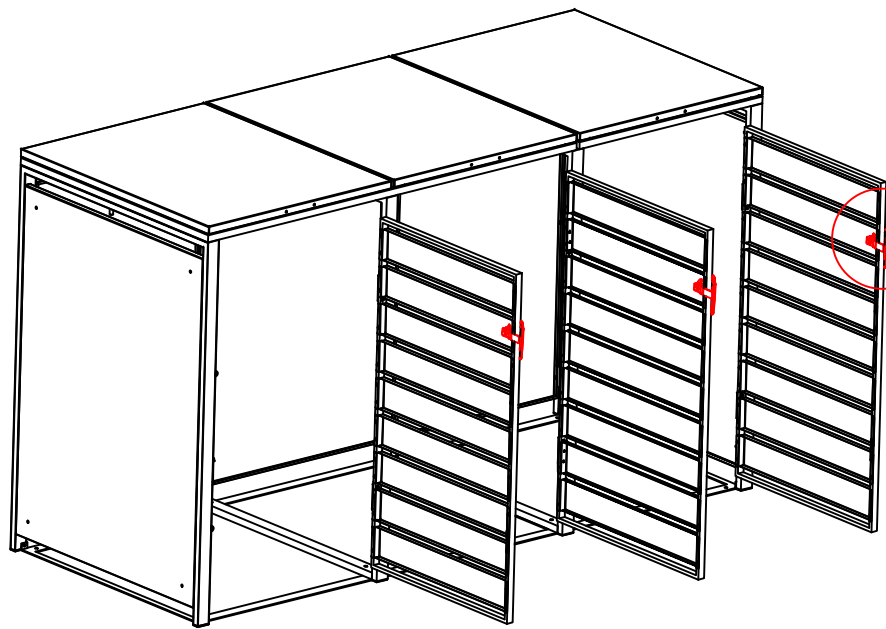
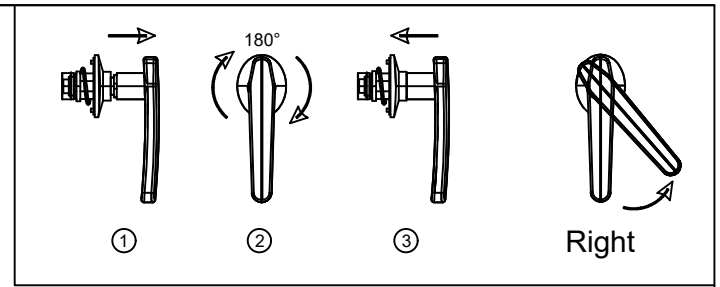


L*15PCS

Step-6



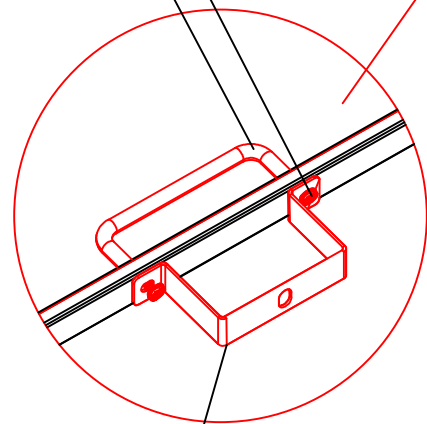
Step-7



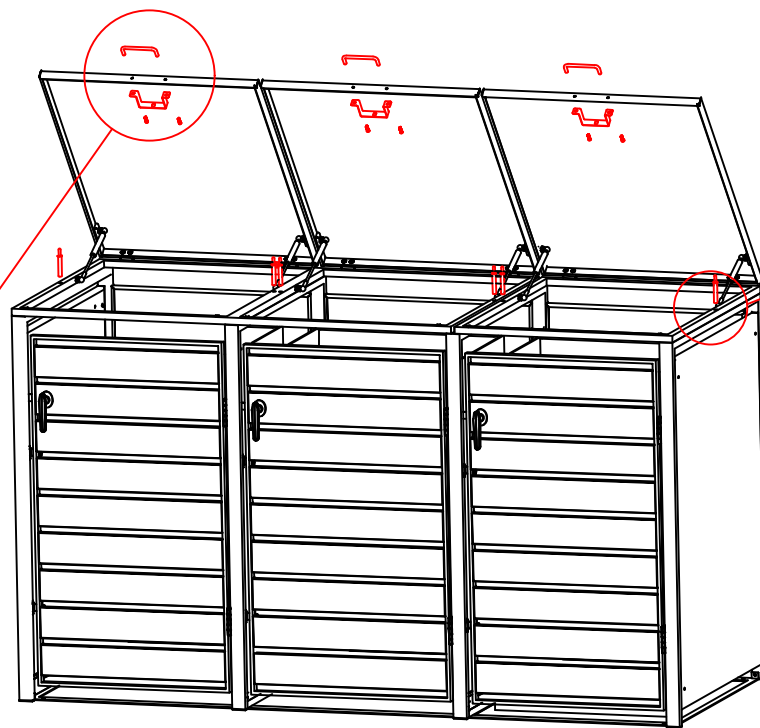
S*3PCS

Step-8

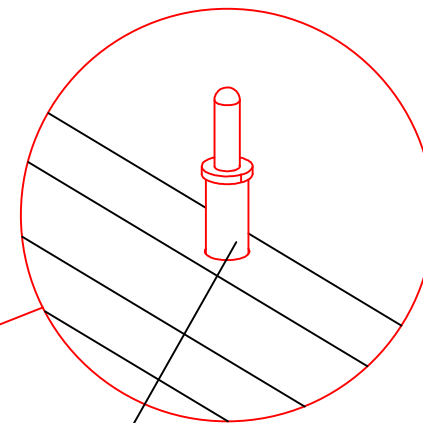
K*6PCS
F*3PCS



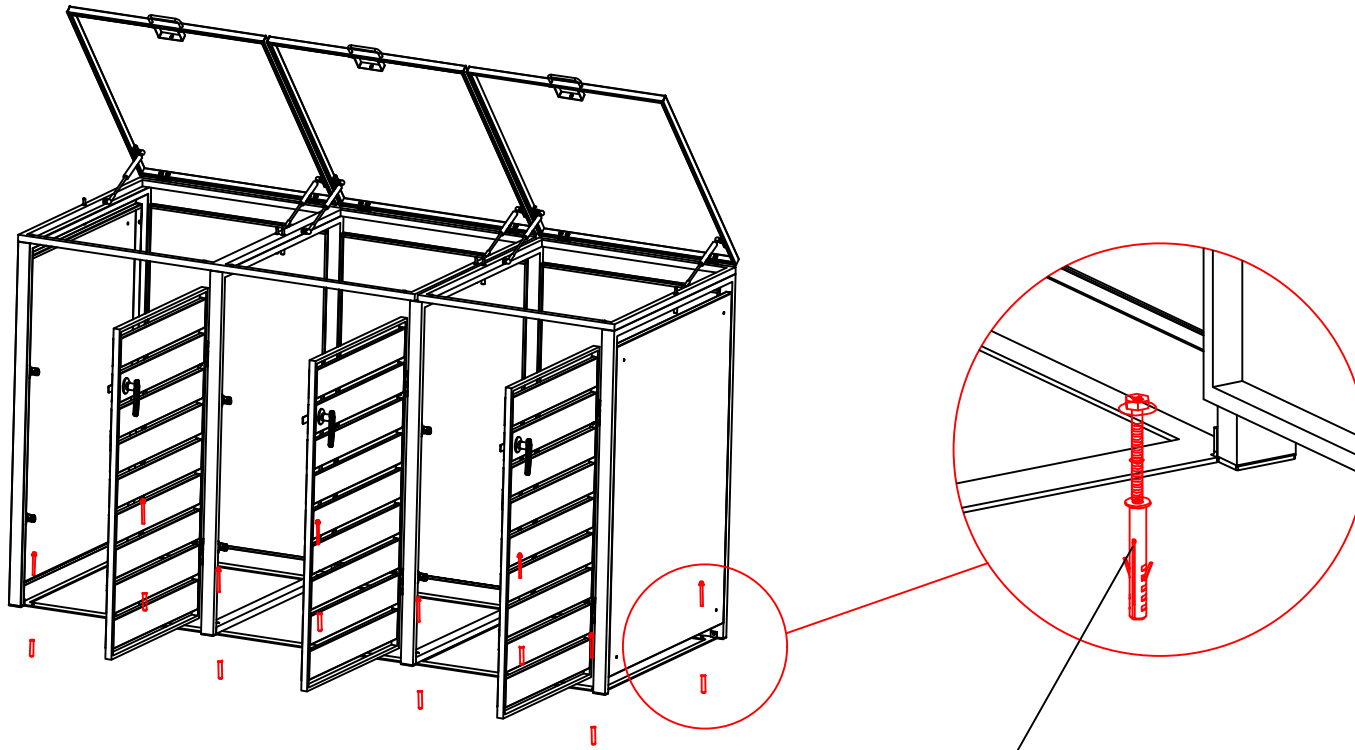
G*3PCS



H*6PCS

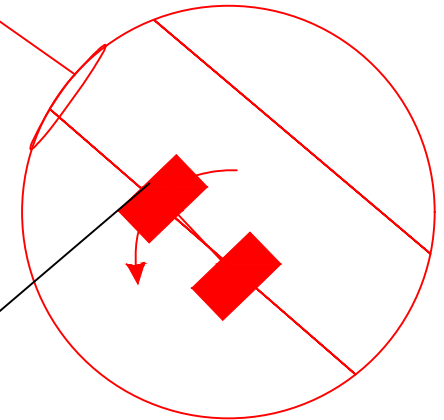
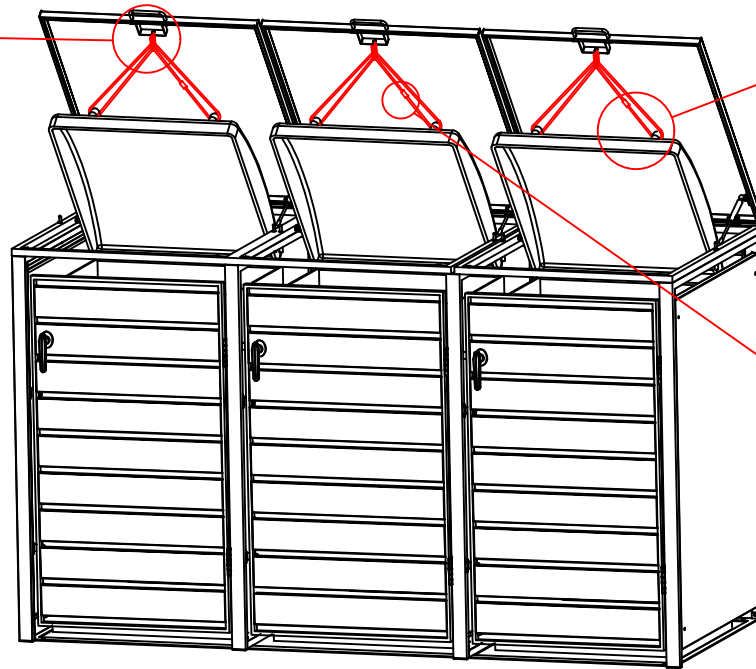
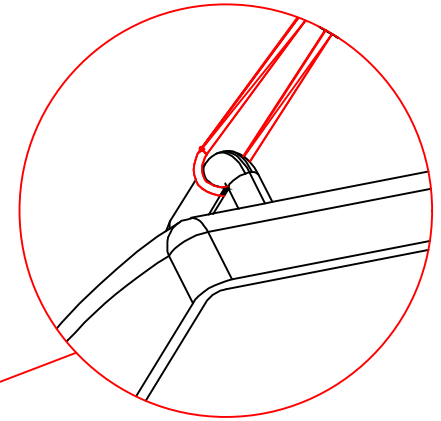
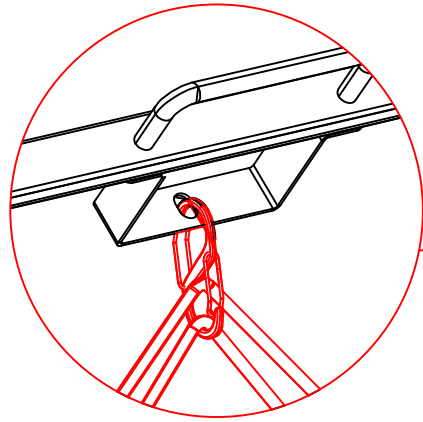


Step-9



I*8PCS

Step-10



N*3PCS