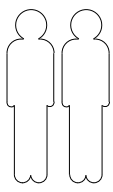
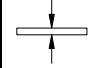
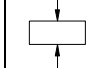
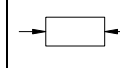




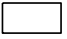

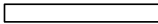

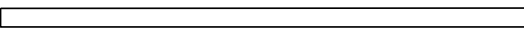
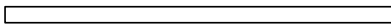
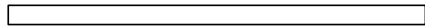
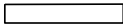
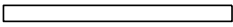

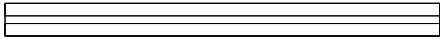
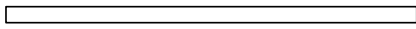
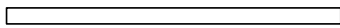
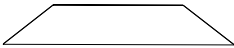





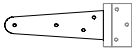
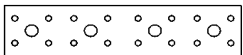
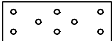
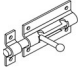



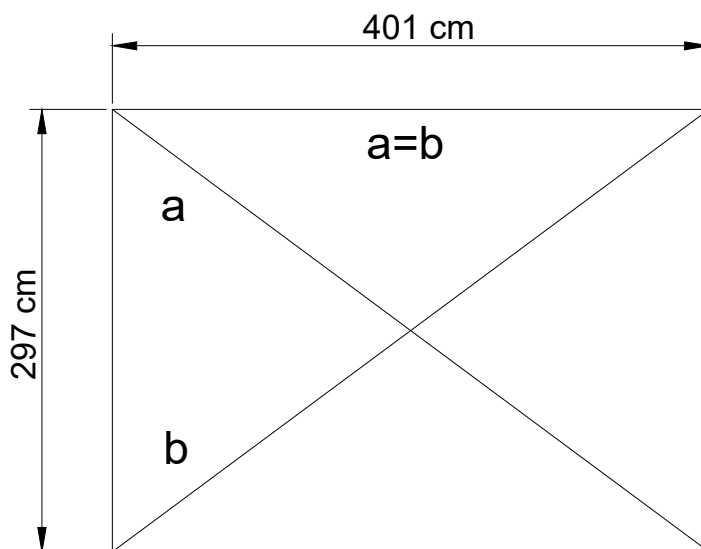
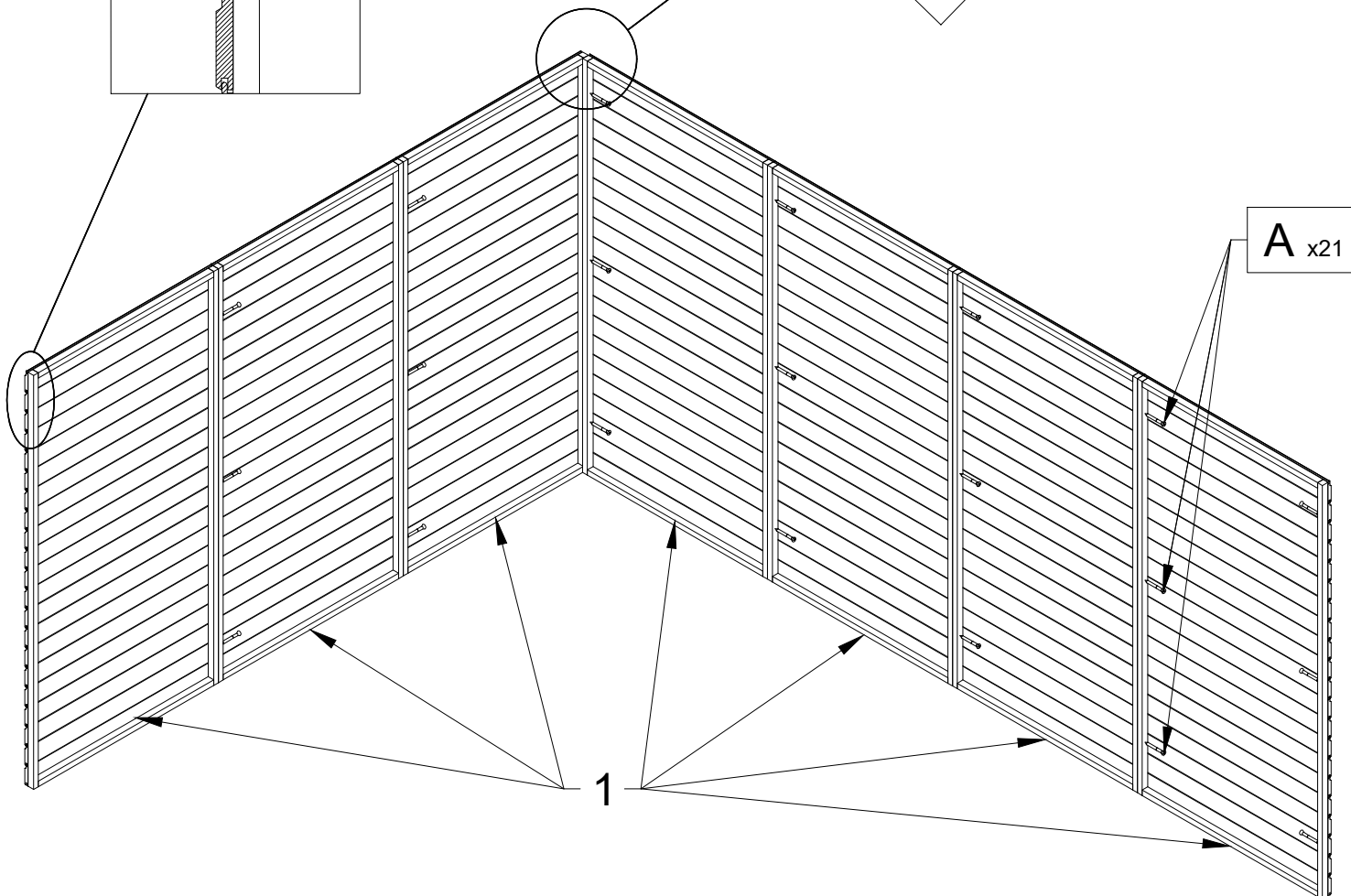
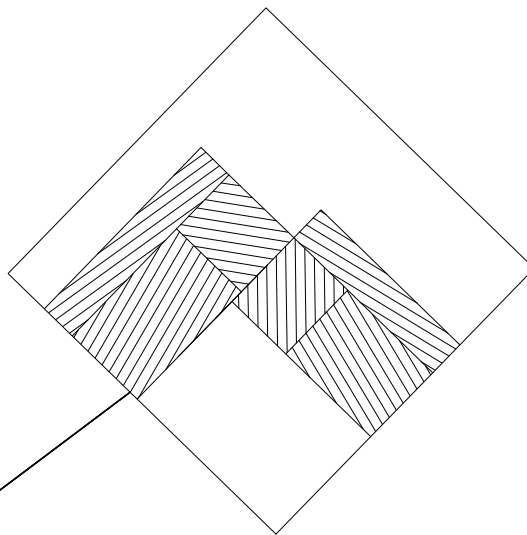
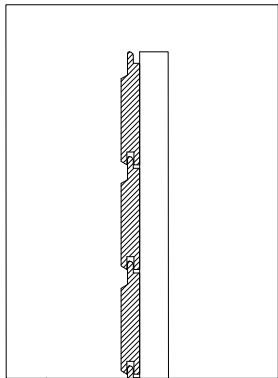
- |          |        |       |
|----------|--------|-------|
| <b>A</b> | 4x45   | x 281 |
| <b>B</b> | 3x25   | x 870 |
| <b>C</b> | 1.4x25 | x 44  |
| <b>D</b> | 3x20   | x 38  |
| <b>E</b> | 3x40   | x 24  |
| <b>F</b> | 10x70  | x 4   |



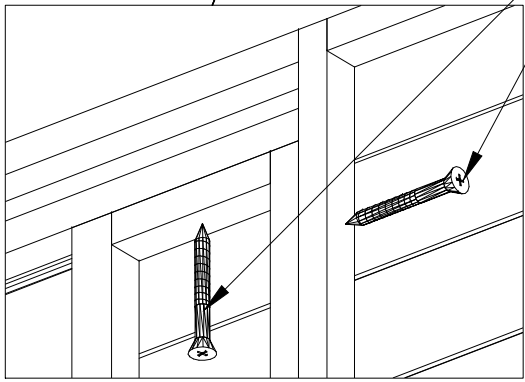
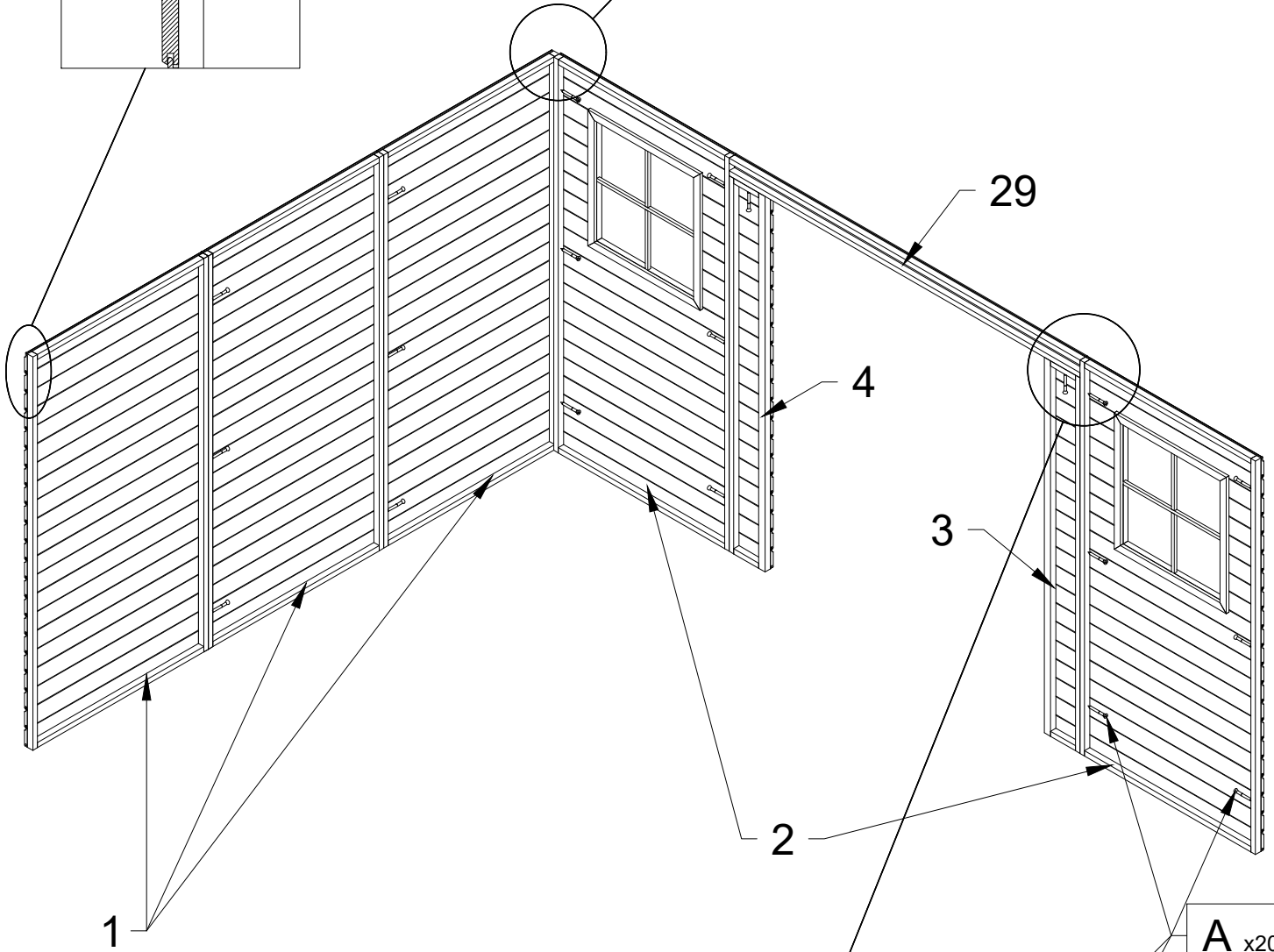
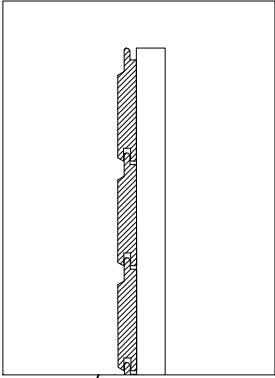
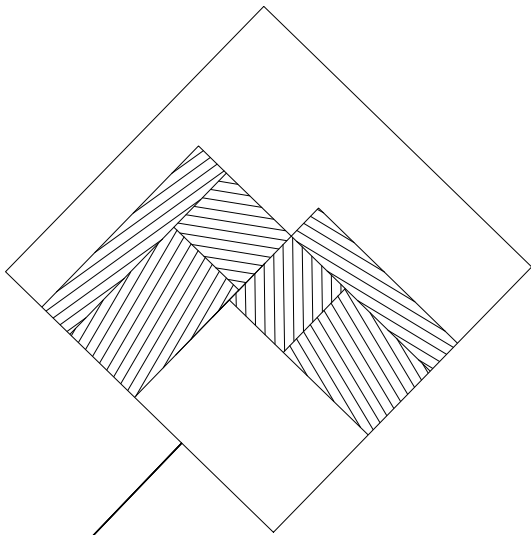
№	PCS			
		mm	mm	mm
1	10		980	1900
2	2		980	1900
3	1		200	1814
4	1		200	1814
5	1		770	1760
6	1		770	1760
7	1	25	30	1560
8	1	40	60	1700
8.1	1	40	60	1240
9	1	30	60	1560
9.1	1	19	35	135
10	4		546	2150
11	16	40	60	89
12	6	40	60	1700
13	6	40	60	1240
14	2		500	2005
15	2		500	2005
16	2	17	47	980
17	4	17	47	1085
18	6	OSB	590	1810

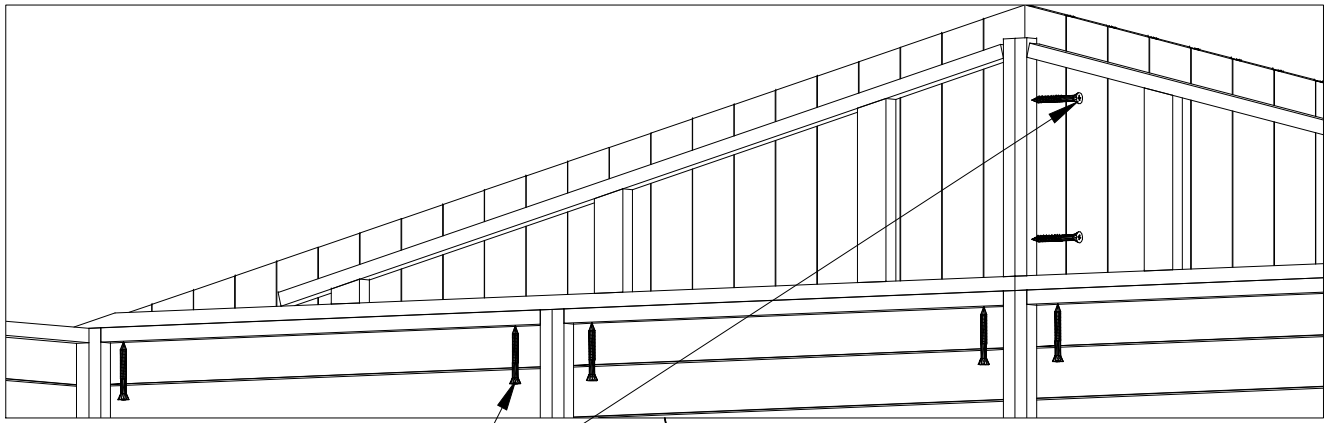
18.1		6	OSB	390	1810
18.2		2	OSB	210	1810
19		6	OSB	340	590
19.1		6	OSB	340	390
19.2		2	OSB	210	340
20		4	OSB	35	1250
21		2	OSB	35	650
22		4	13	92	2160
23		10	15	35	2130
24		4	15	35	1835
25		4	17	47	1900
26		2	15	35	495
27		2	15	35	855
28		2	15	75	145
29		1		89	1960
30		5	15	35	1900
31		4	15	35	1575
32		4	30	60	275
33	1x10m   → 2x5,0m	2		1m	4,45m
		1		1m	4,45m
34		1		0,5m	4,45m
35		1			
36		6			
37		18			
38		7			
39		3			
40		32			

1

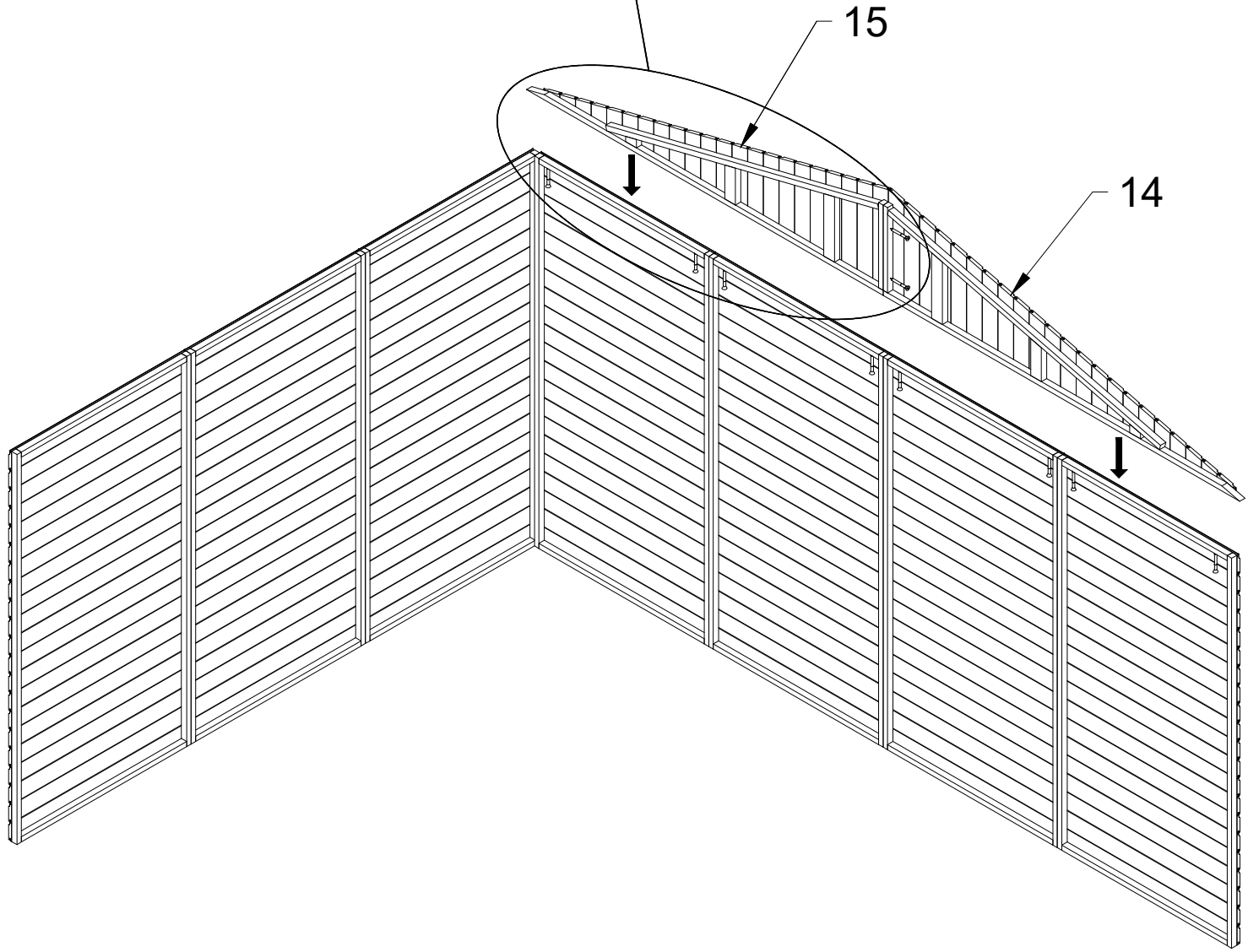


2

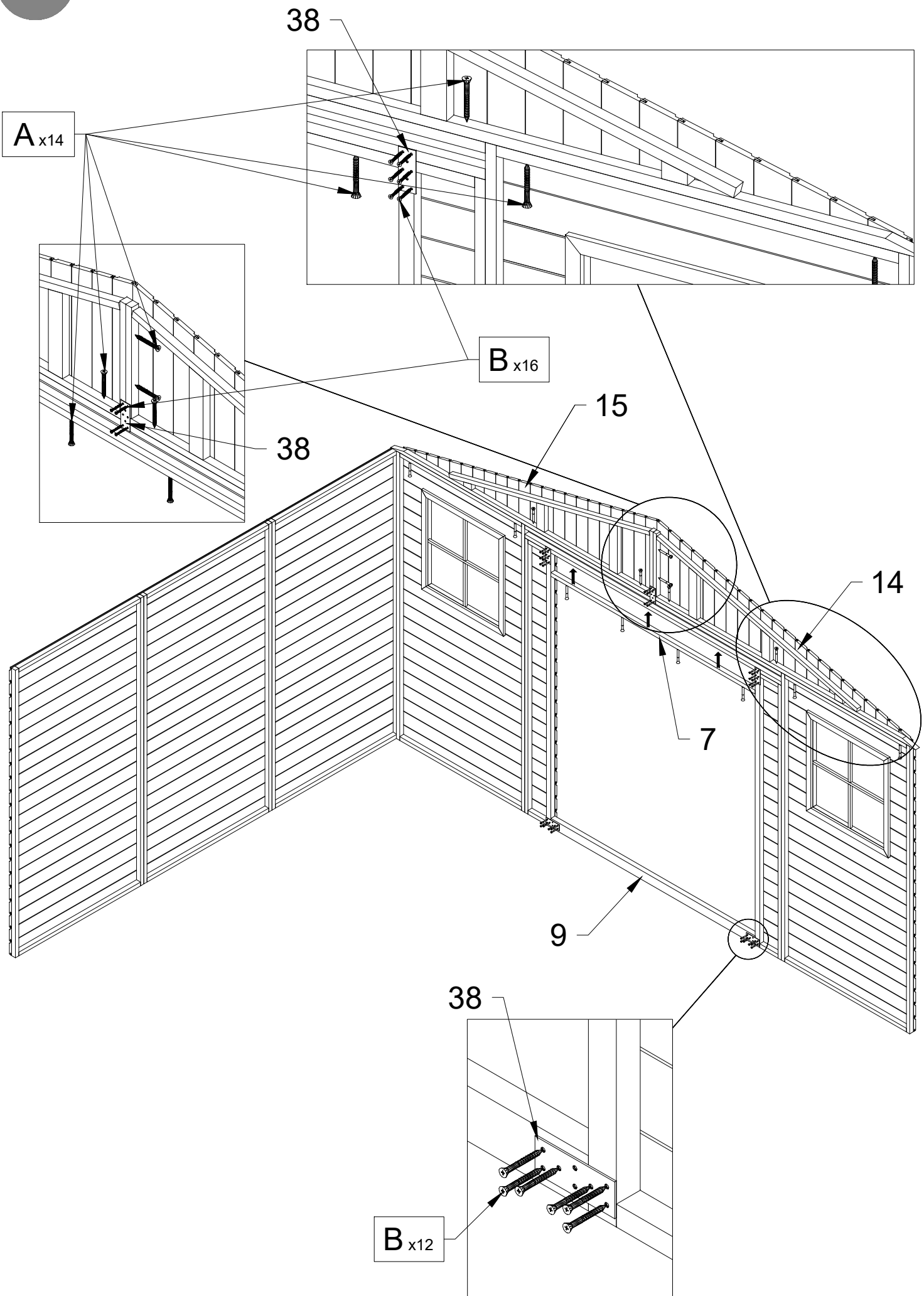




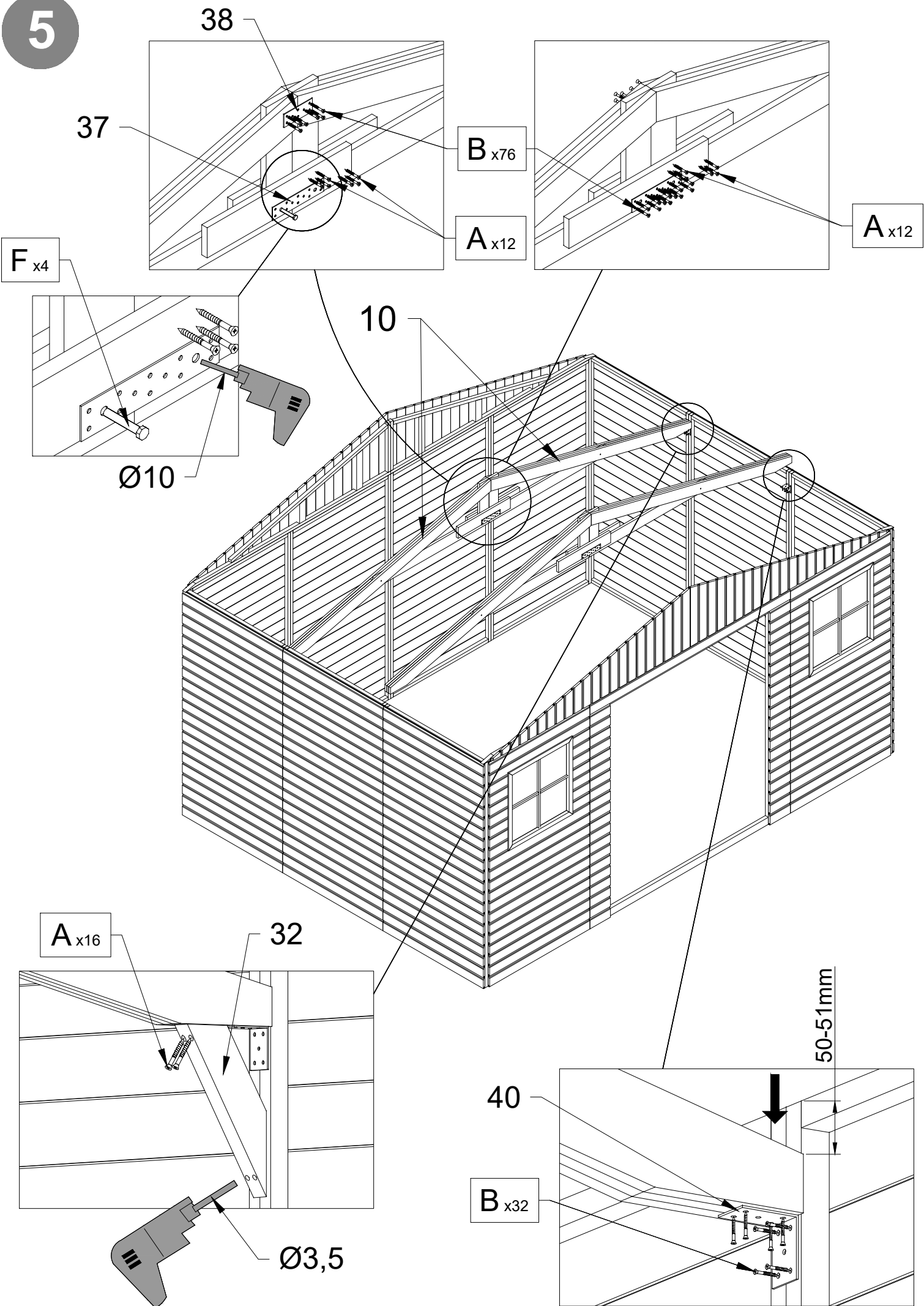
A x10

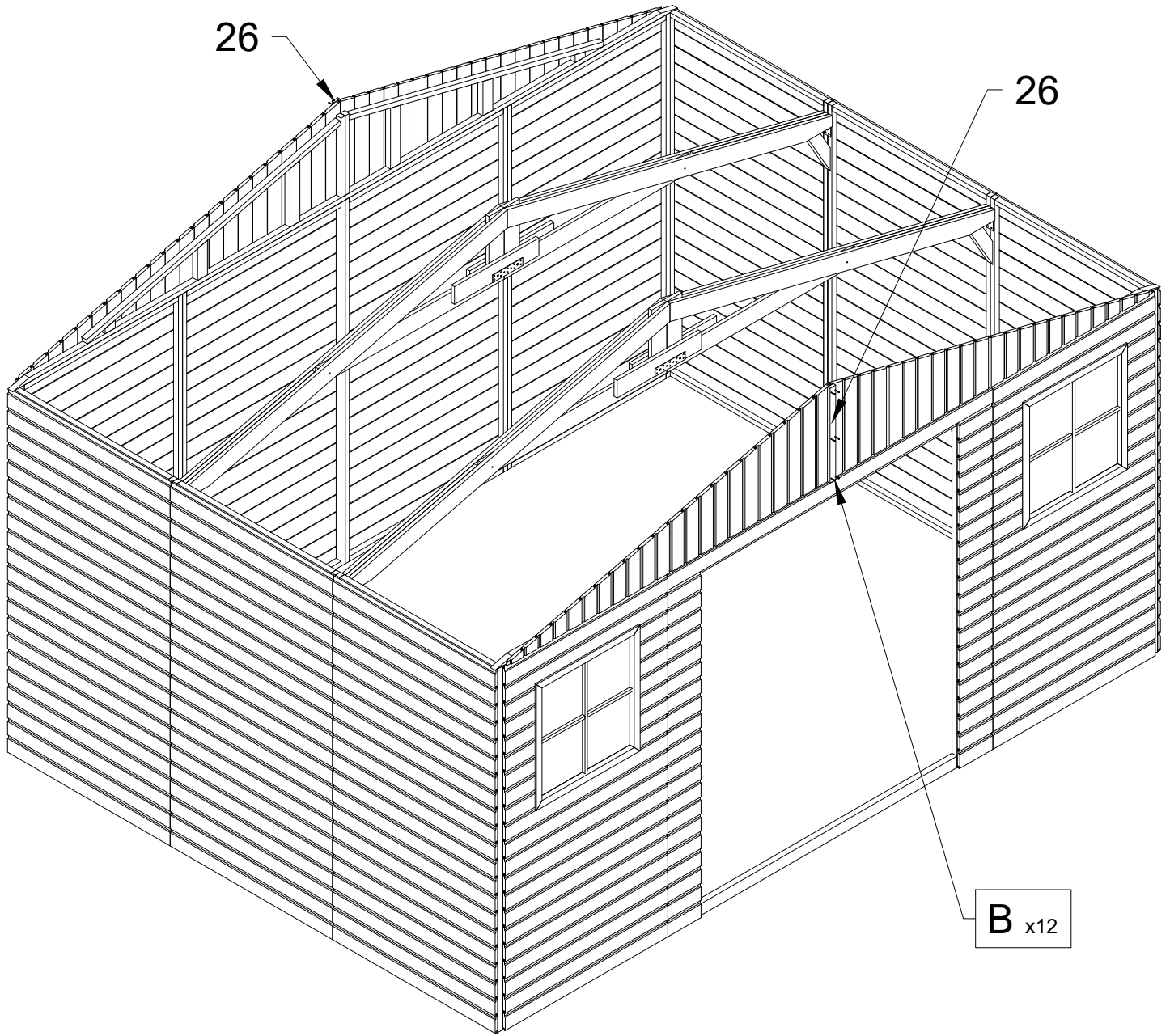


4

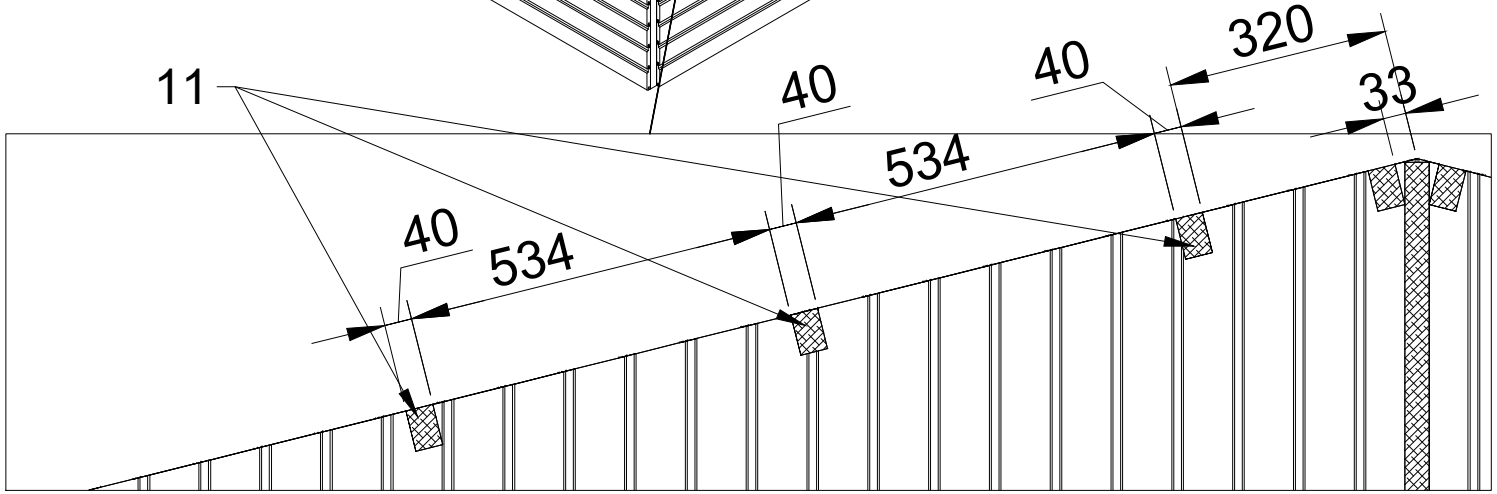
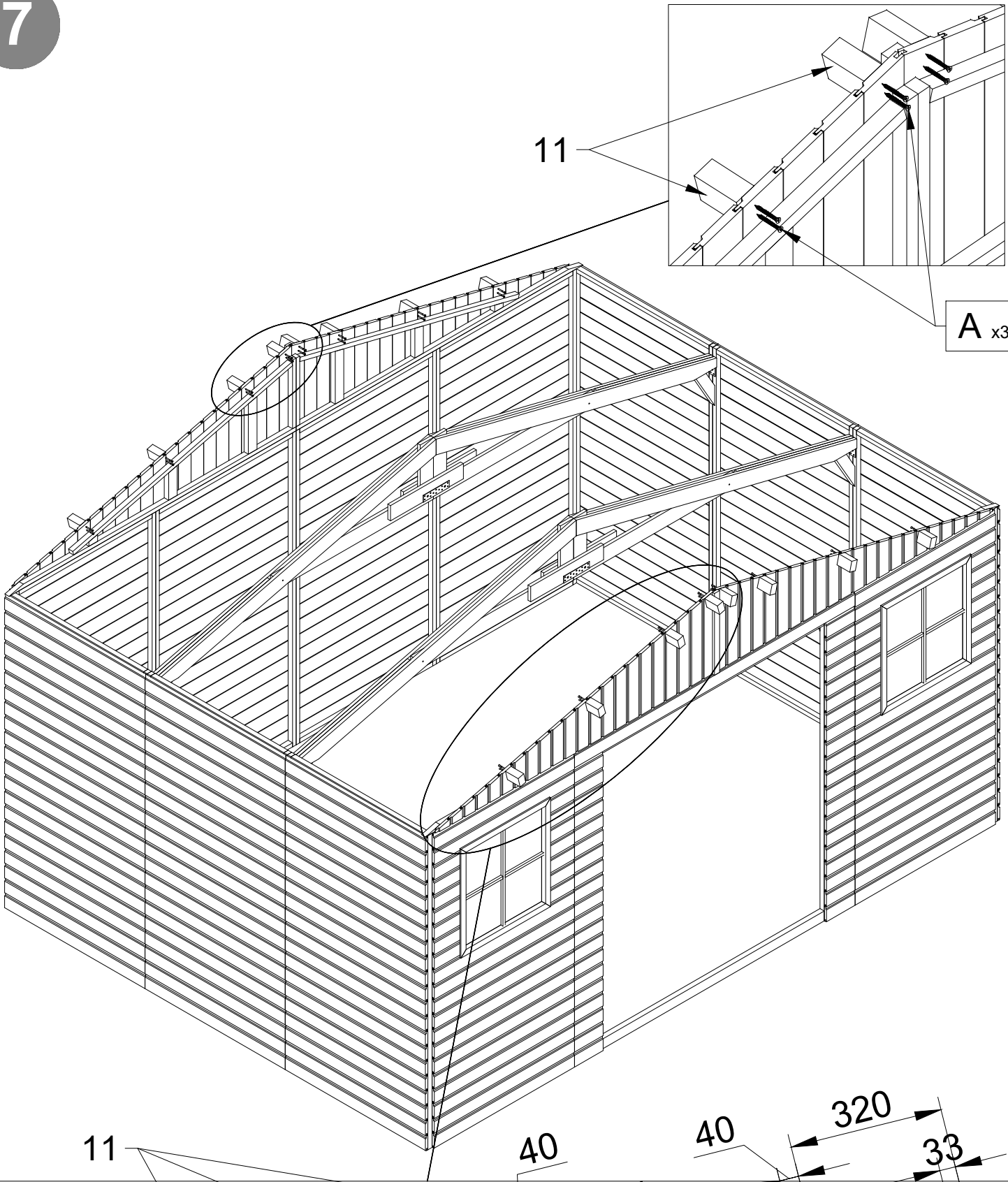


5

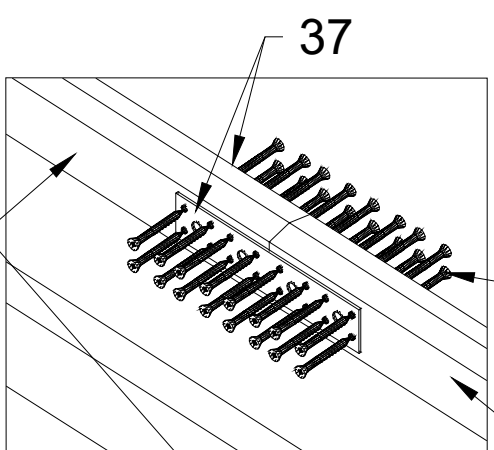




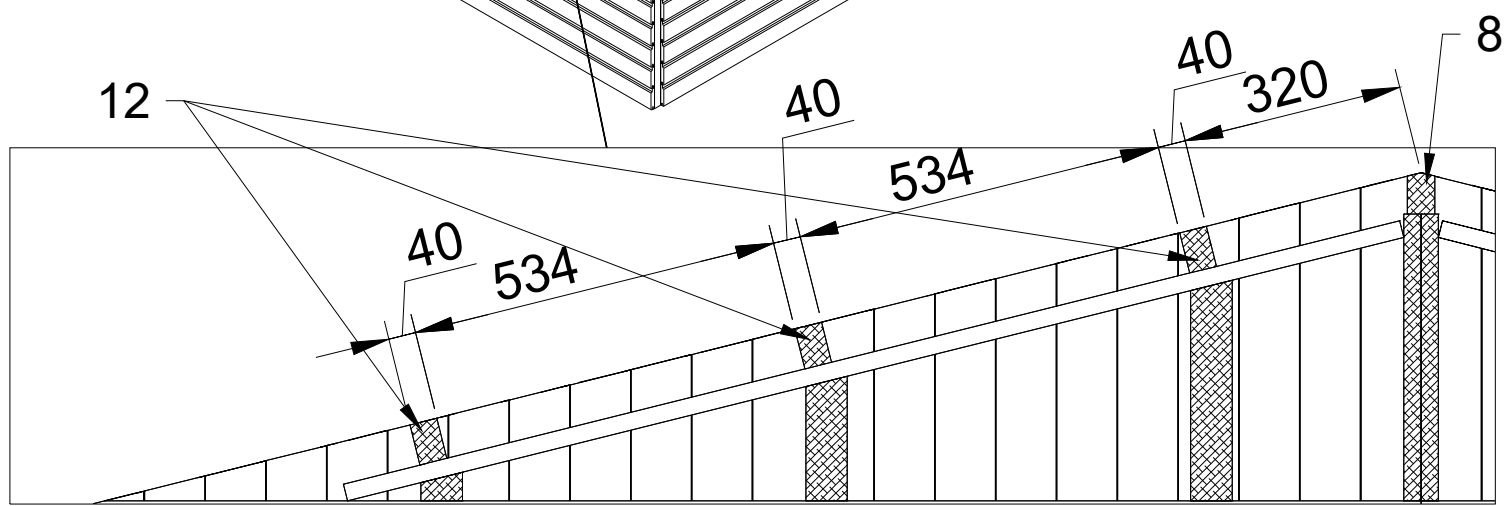
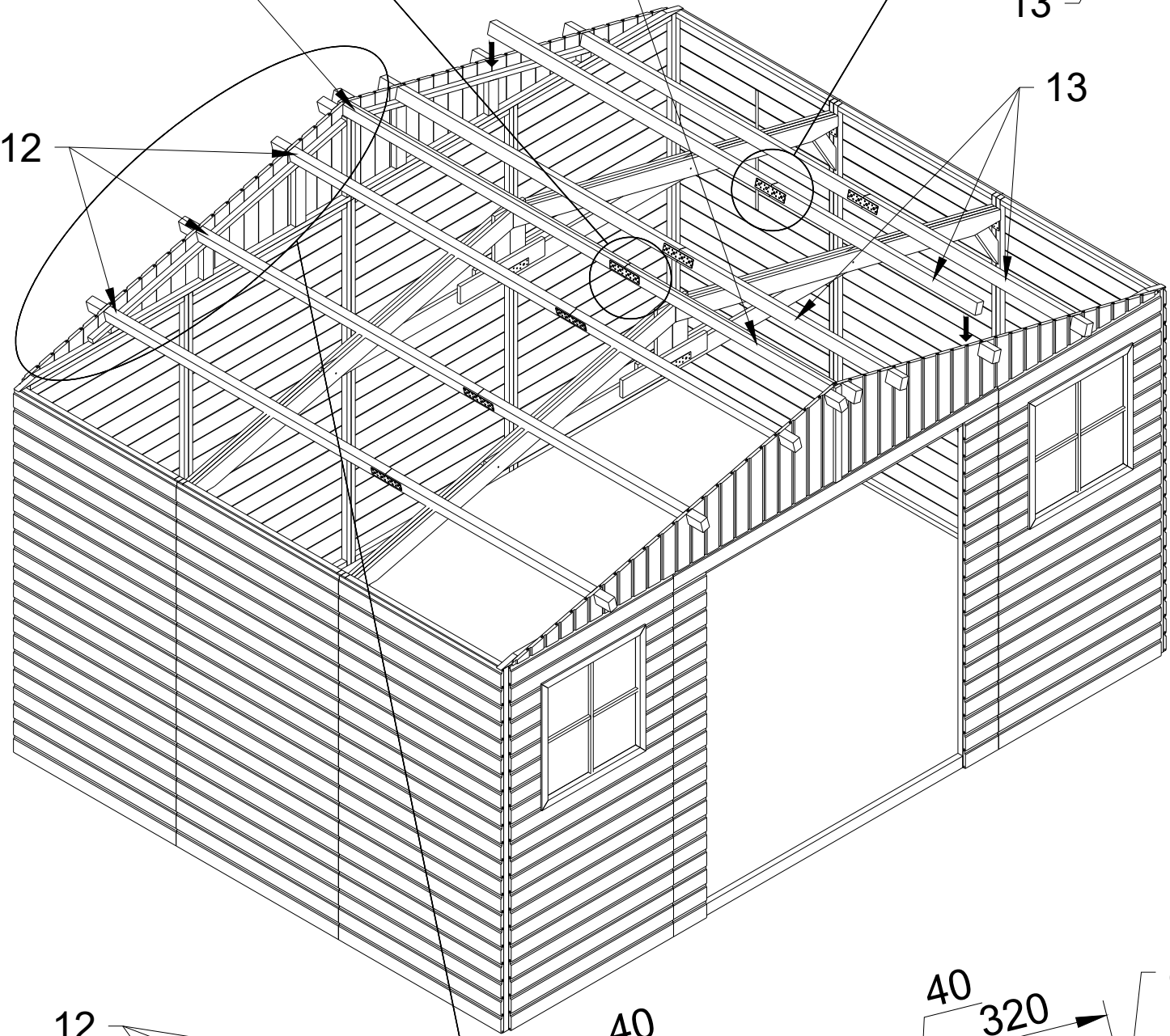
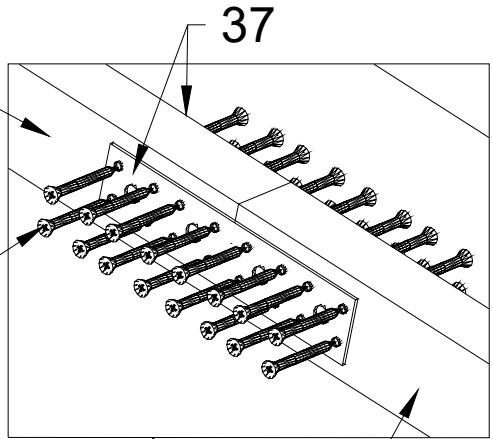
7



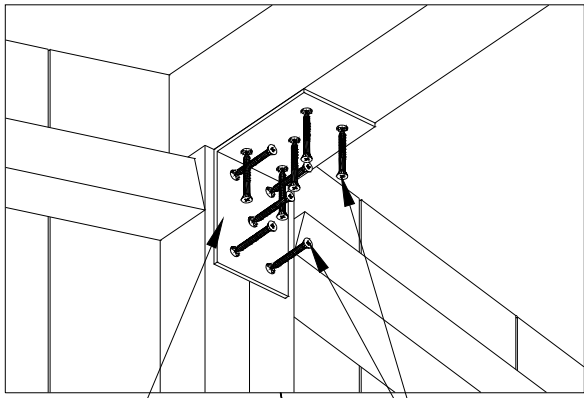
8



B x224

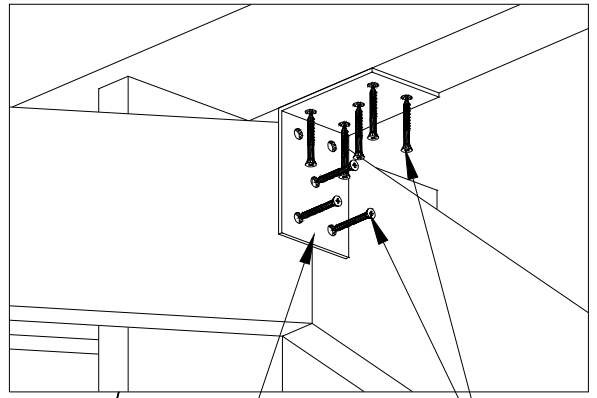


9



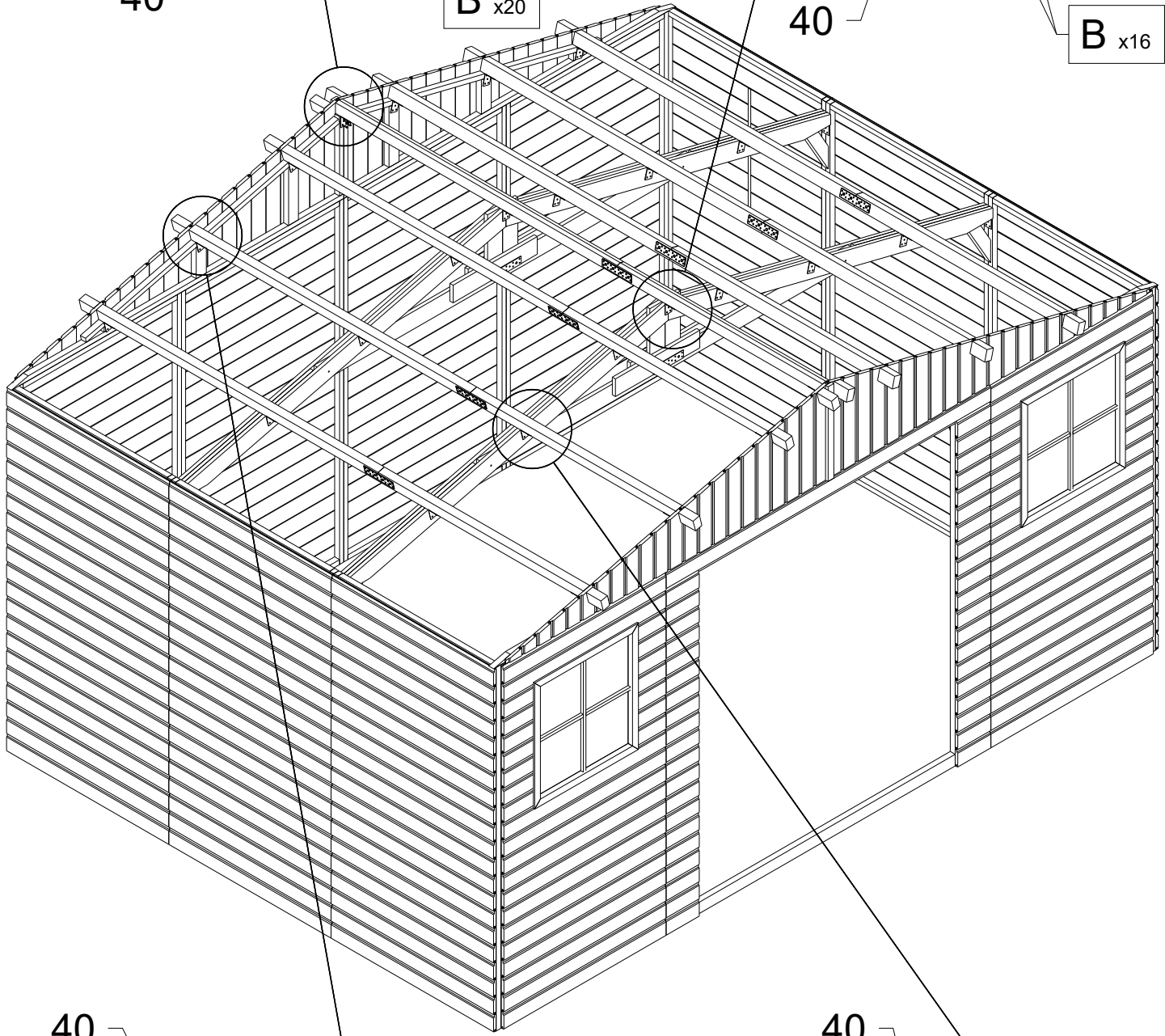
40

B x 20



40

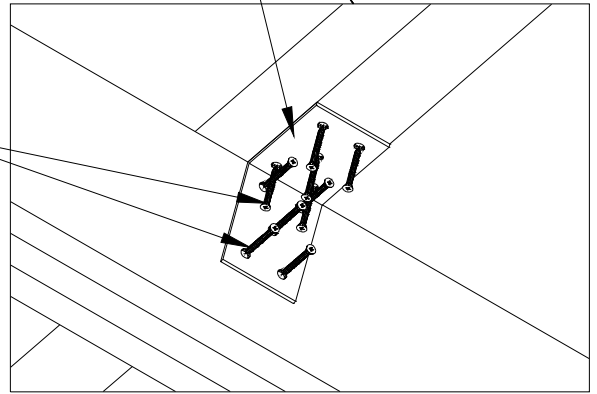
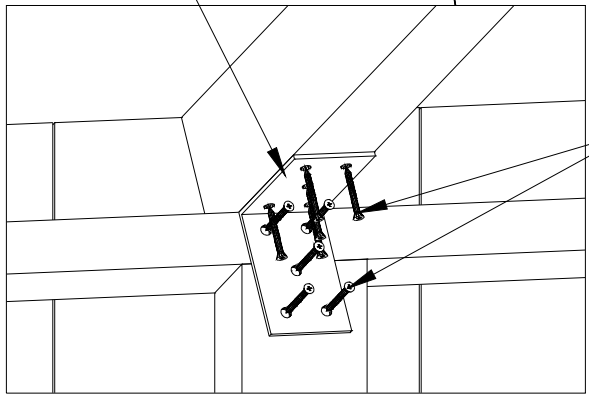
B x 16



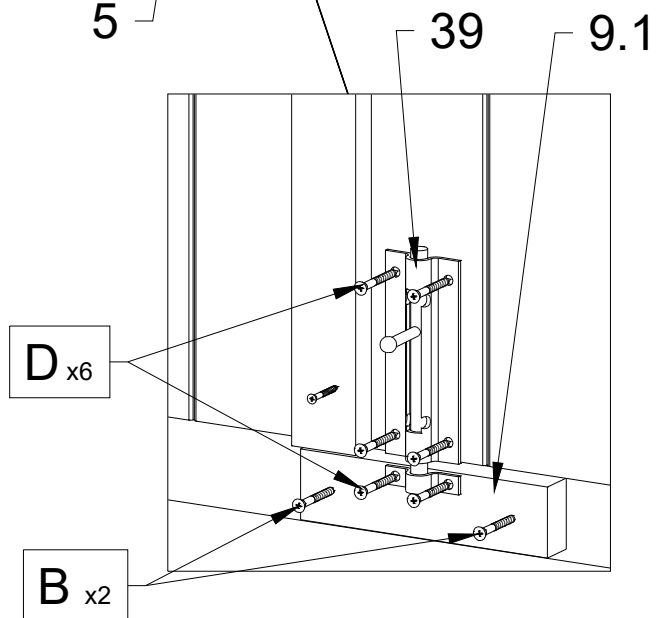
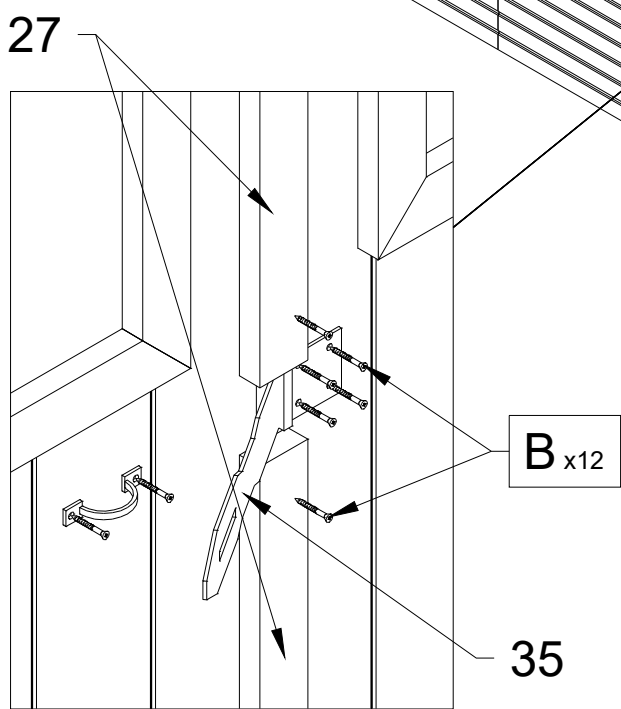
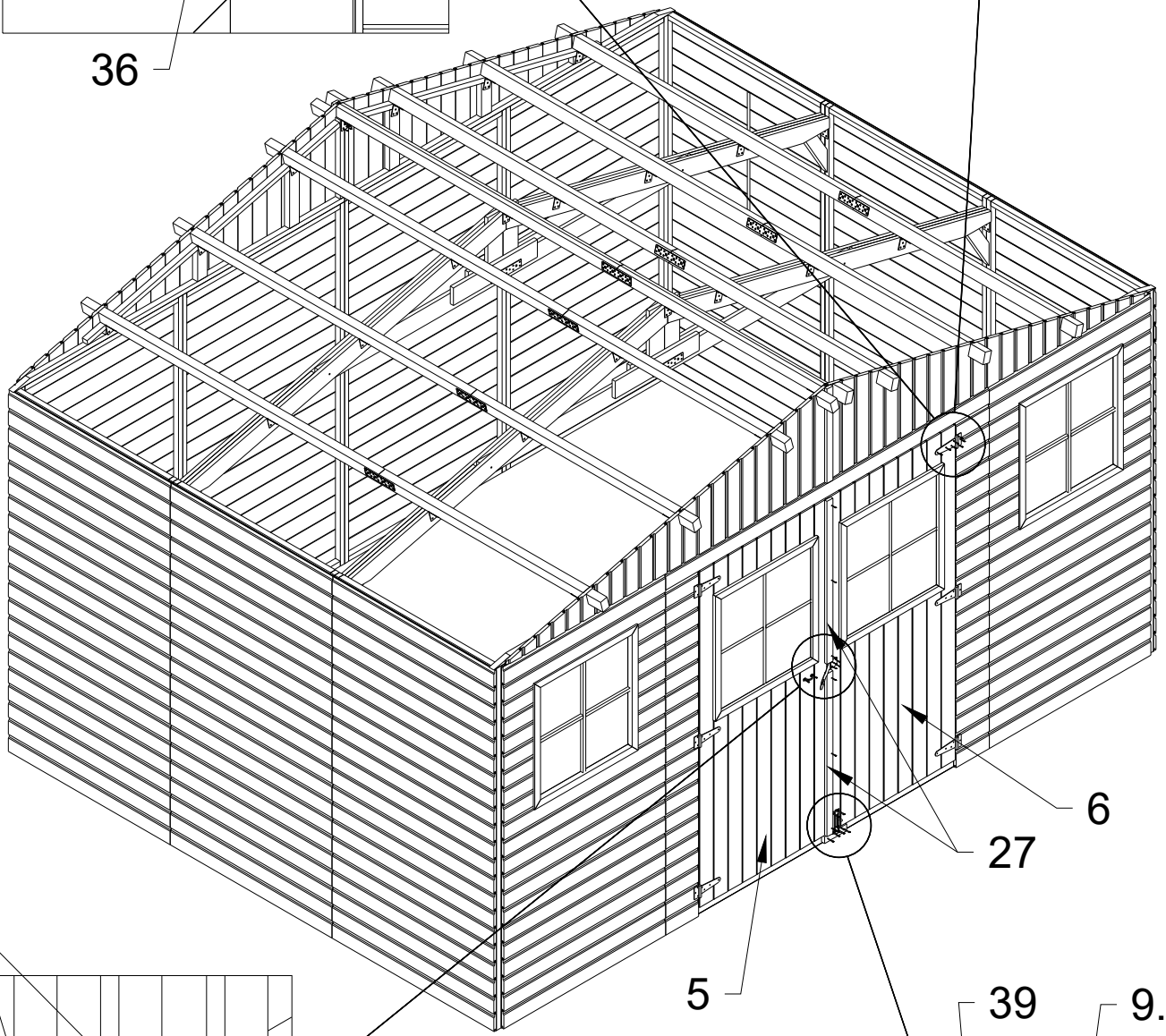
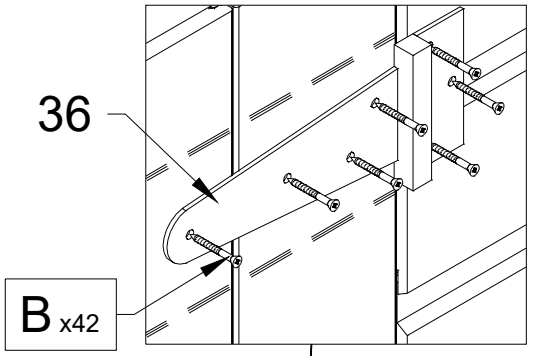
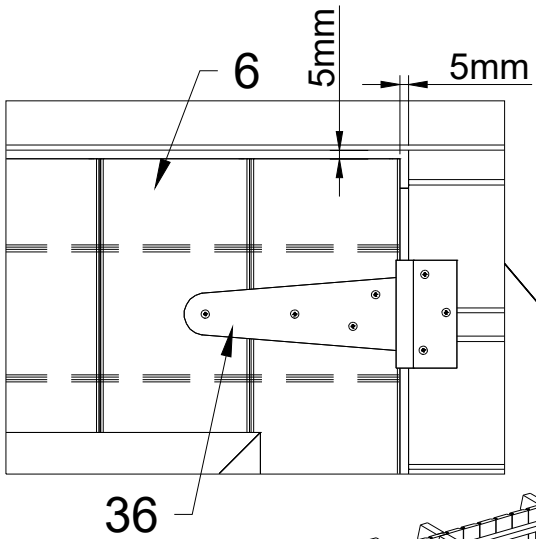
40

B x 240

40

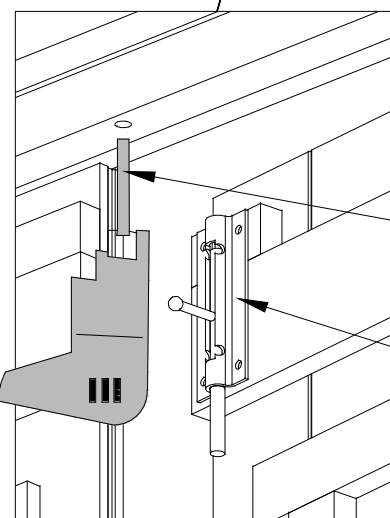
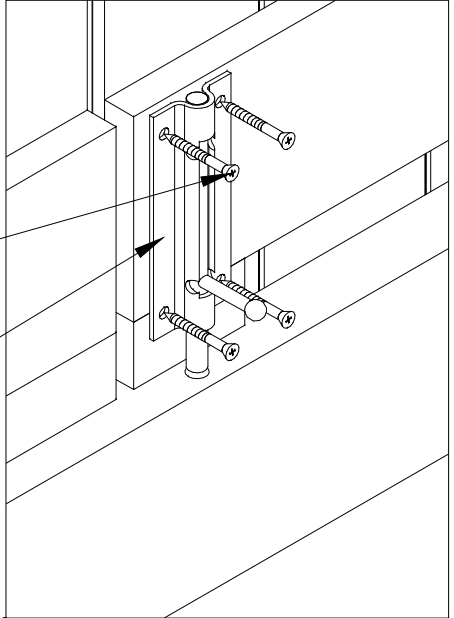
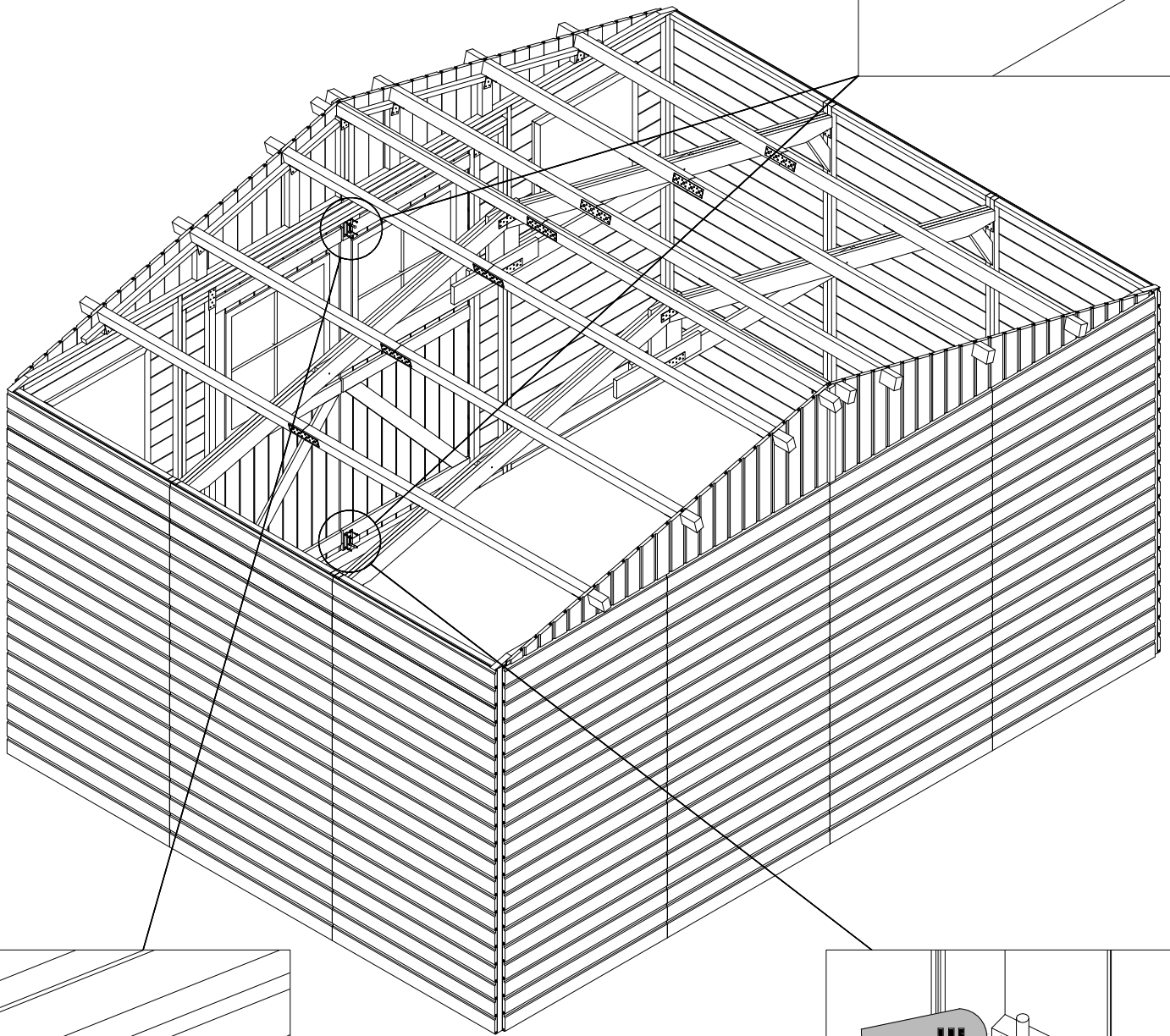


10



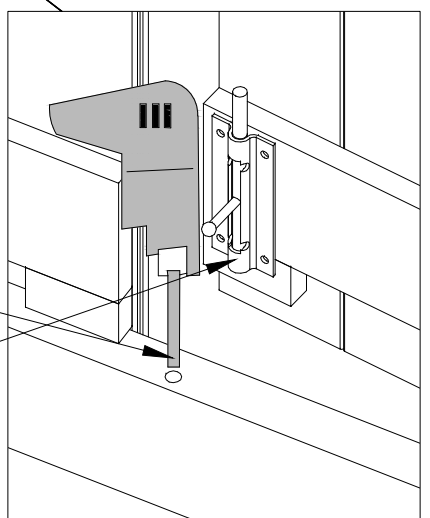
B x8

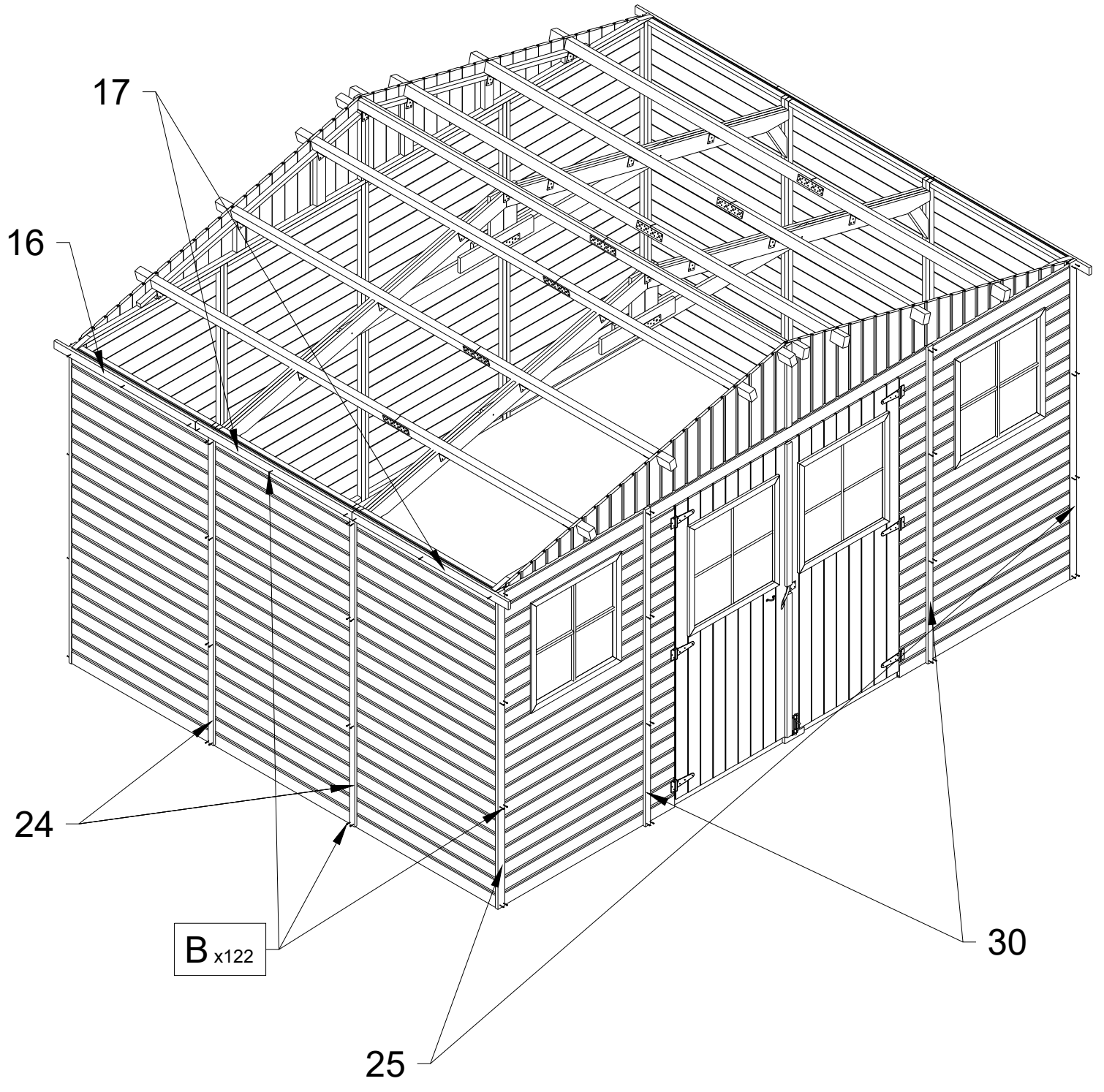
39

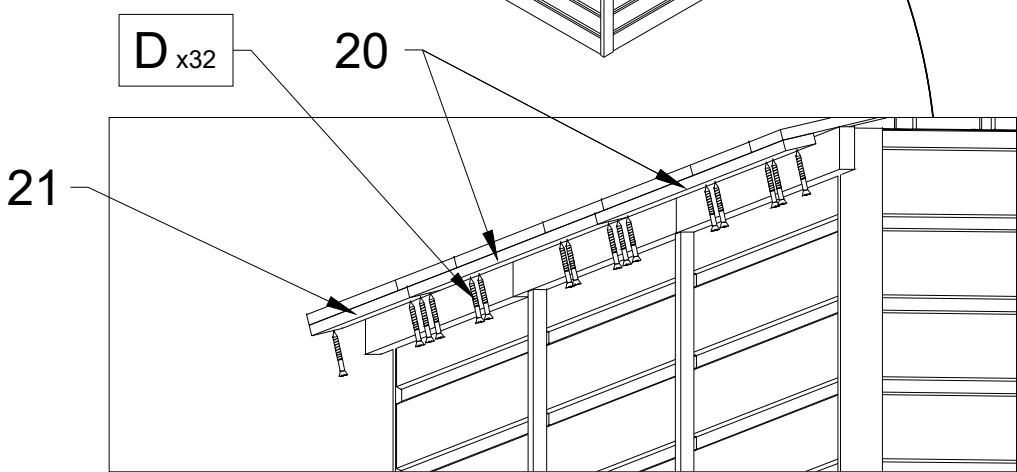
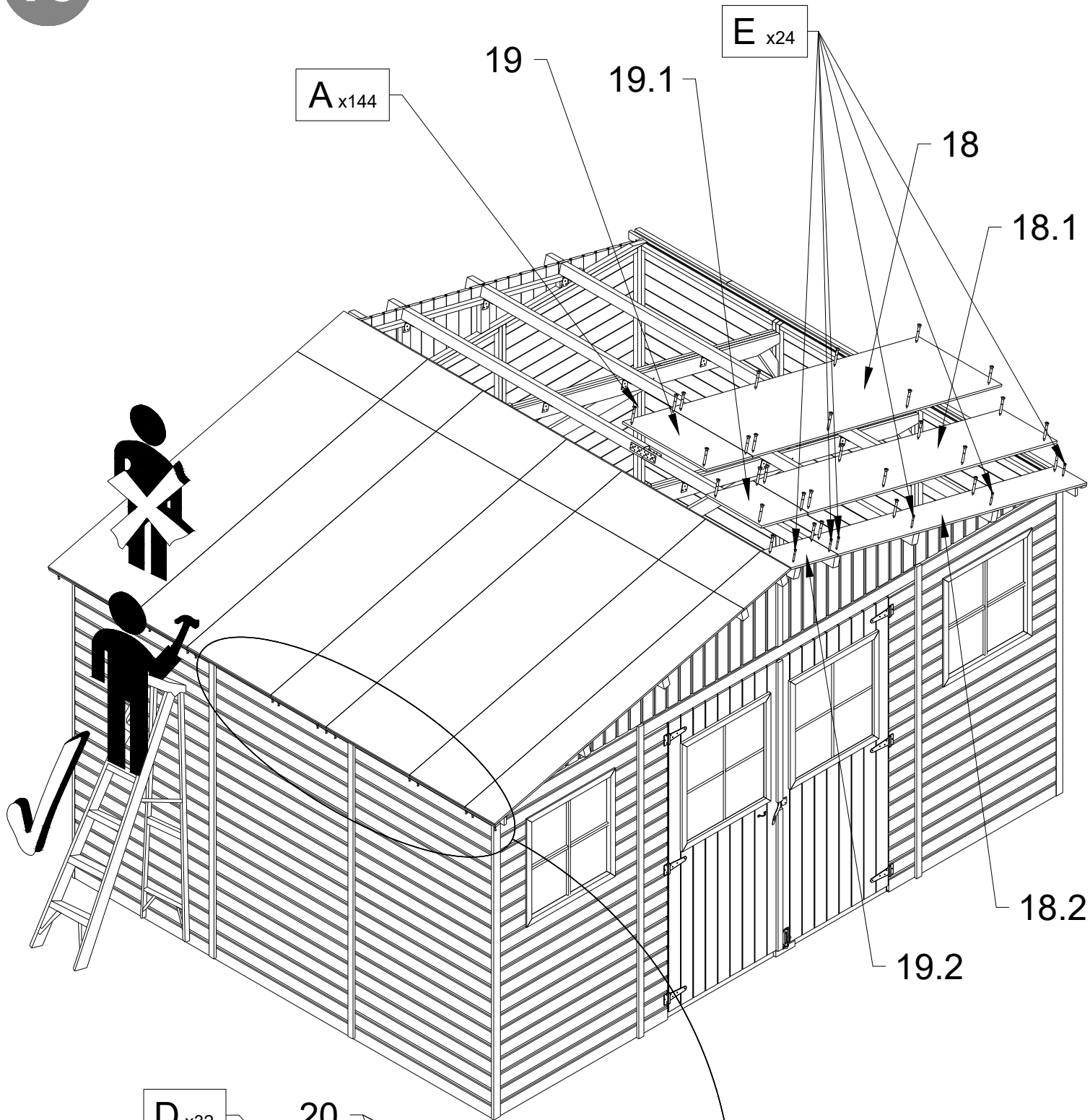


Ø12mm

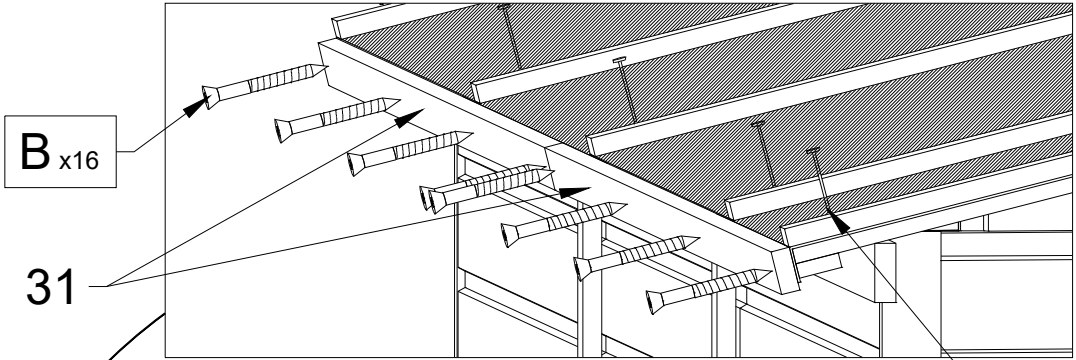
39



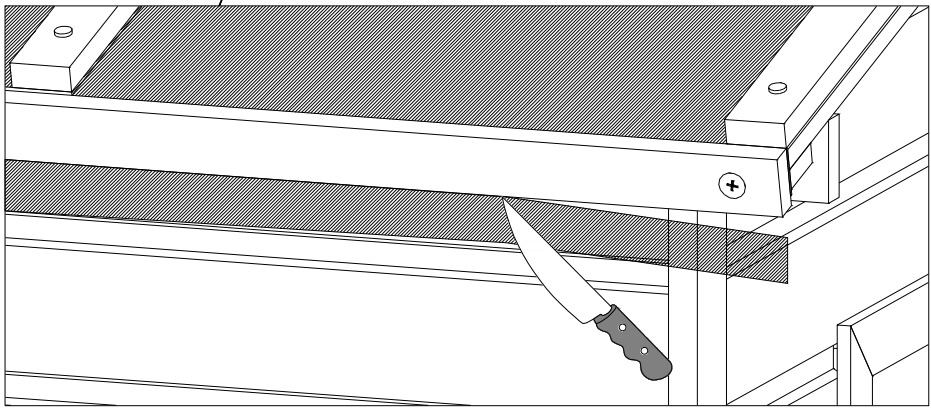
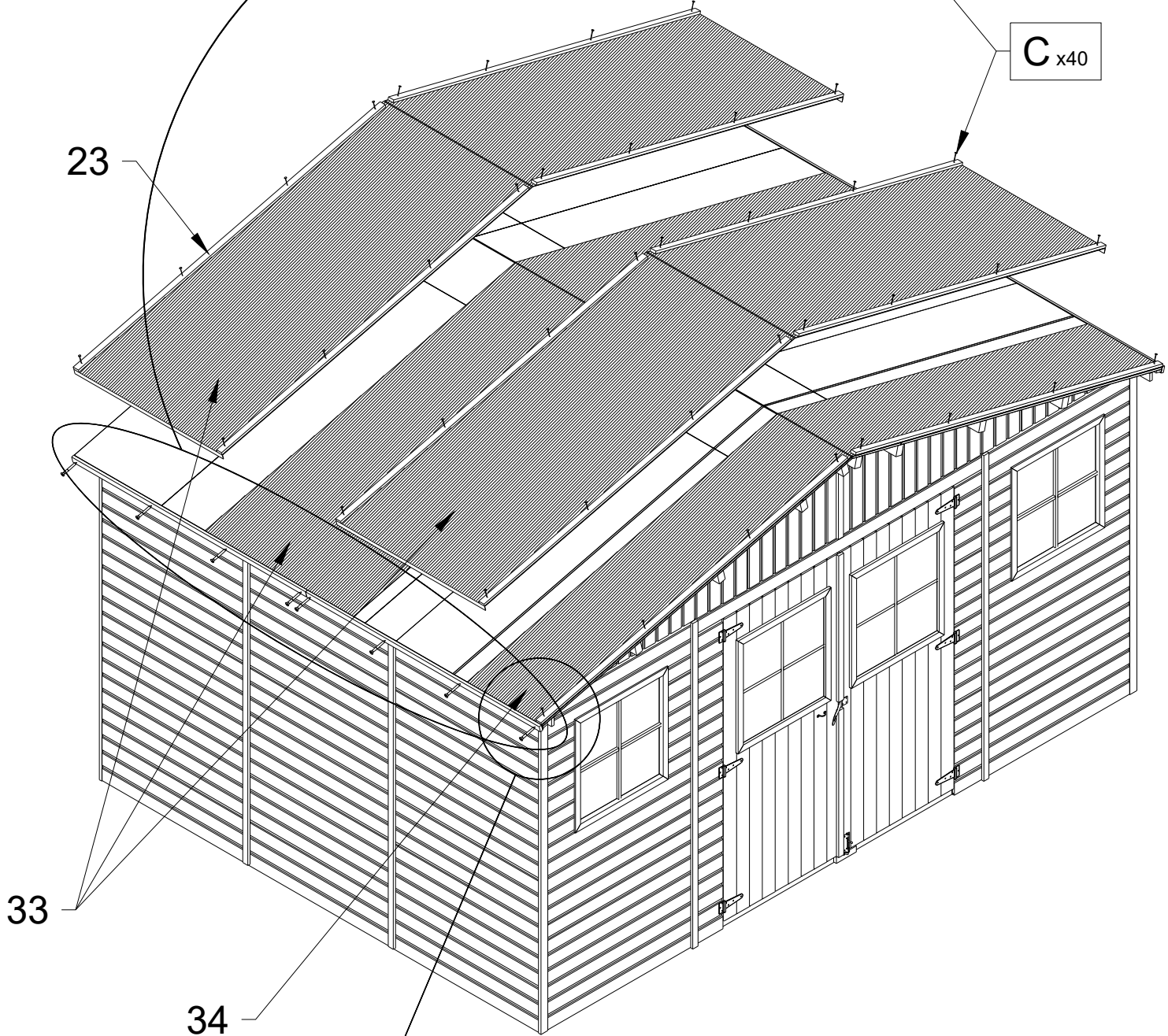




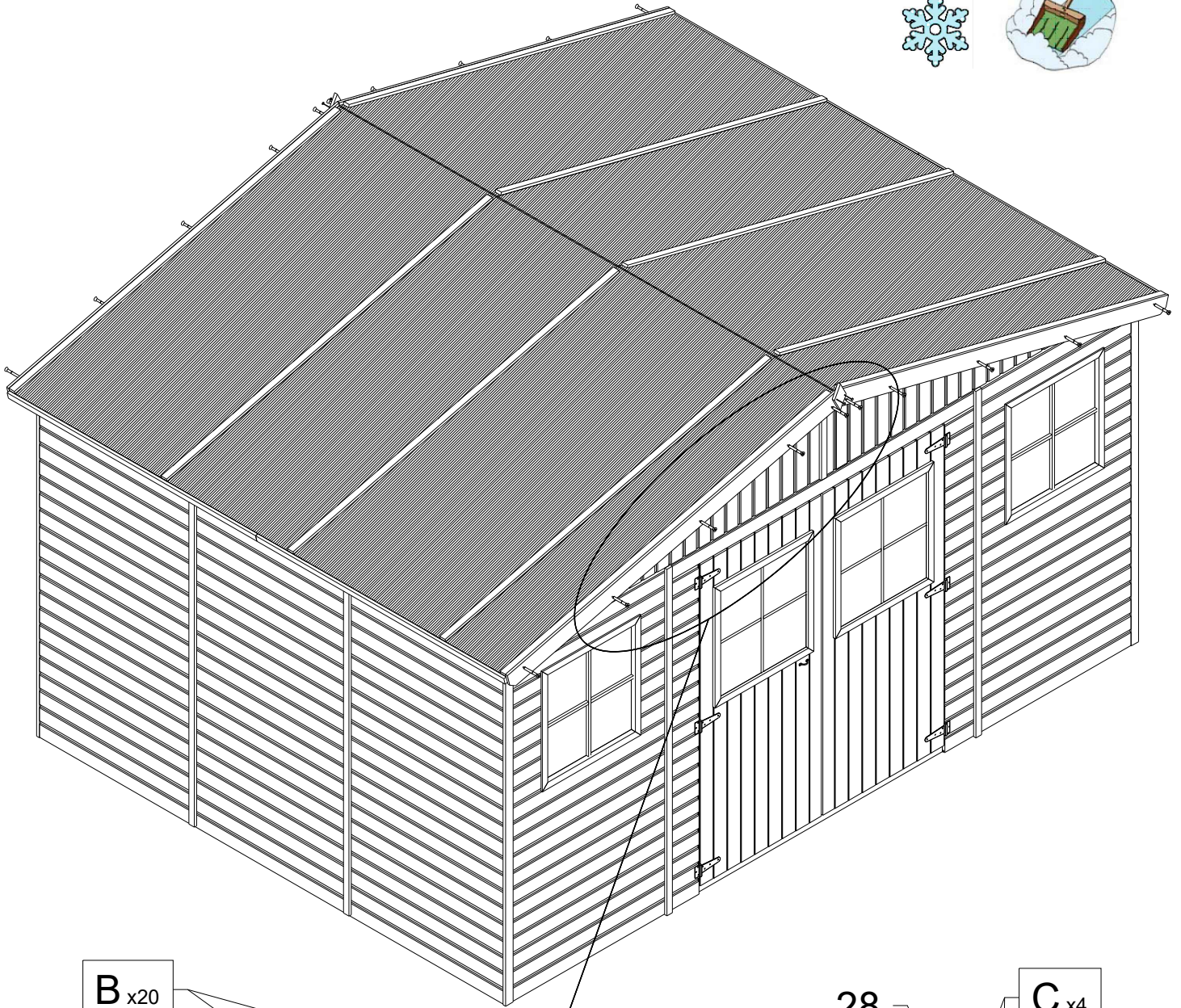
14



$C \times 40$



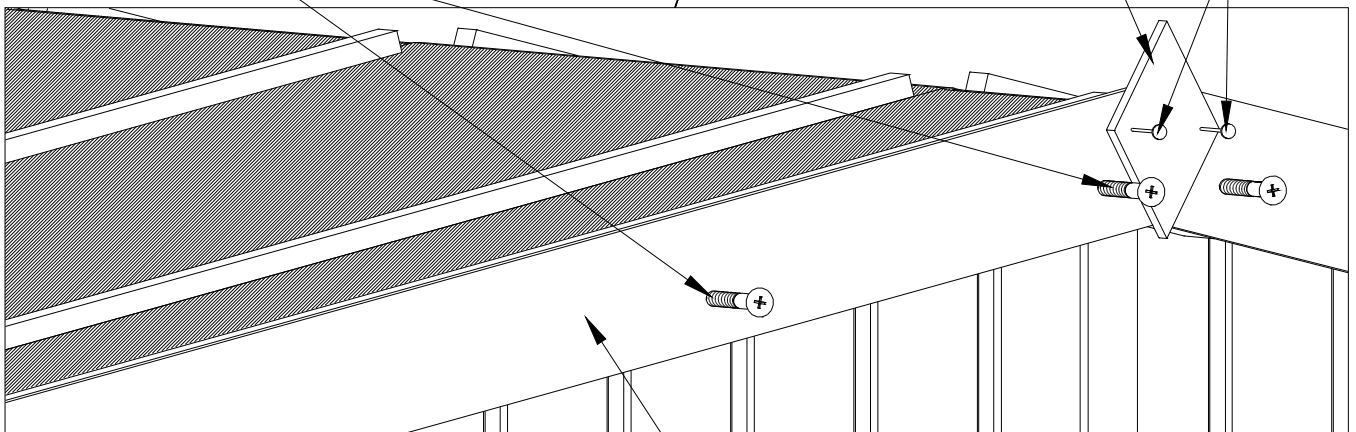
MAX  
30 kg/m<sup>2</sup>



B x20

28

C x4



22