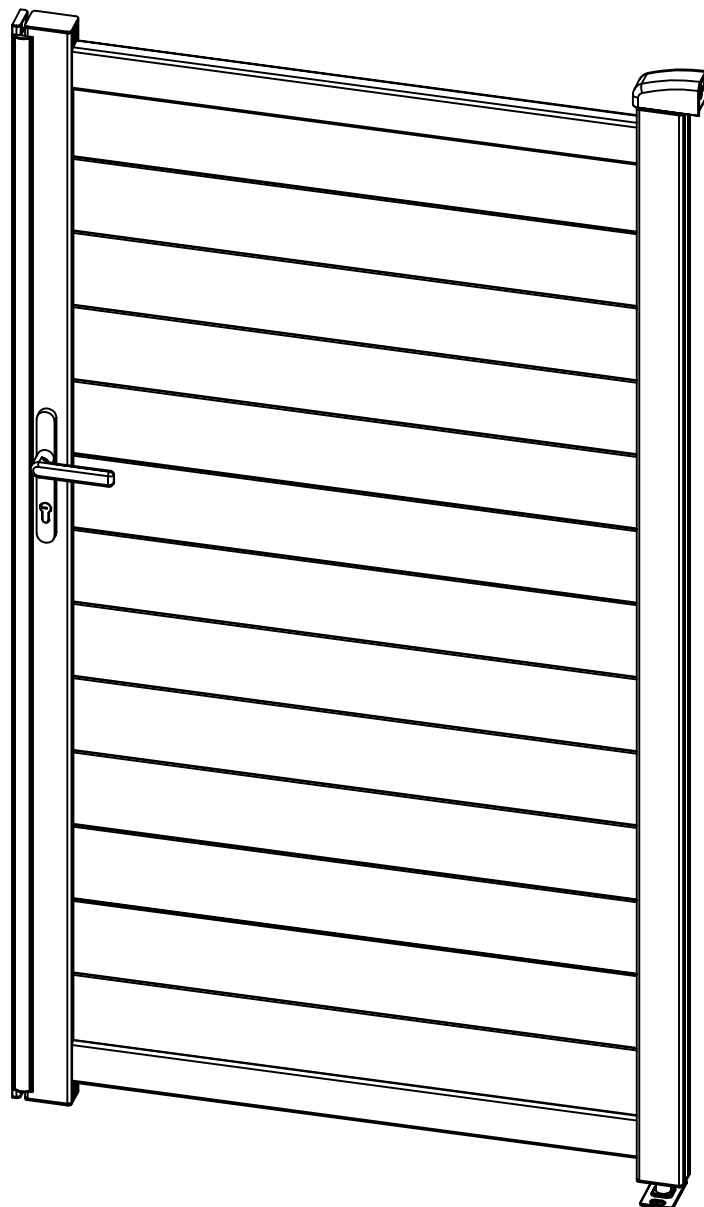
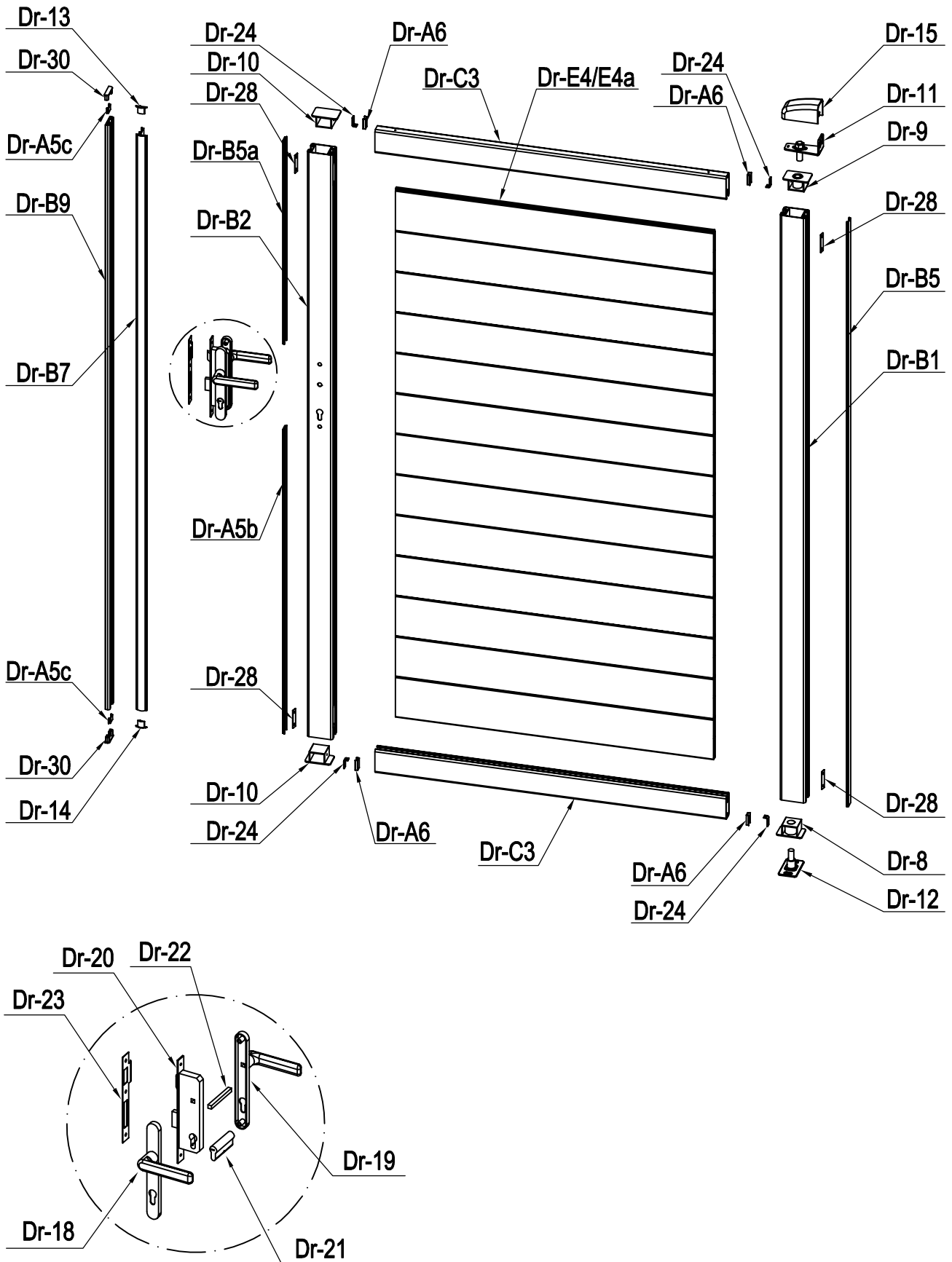
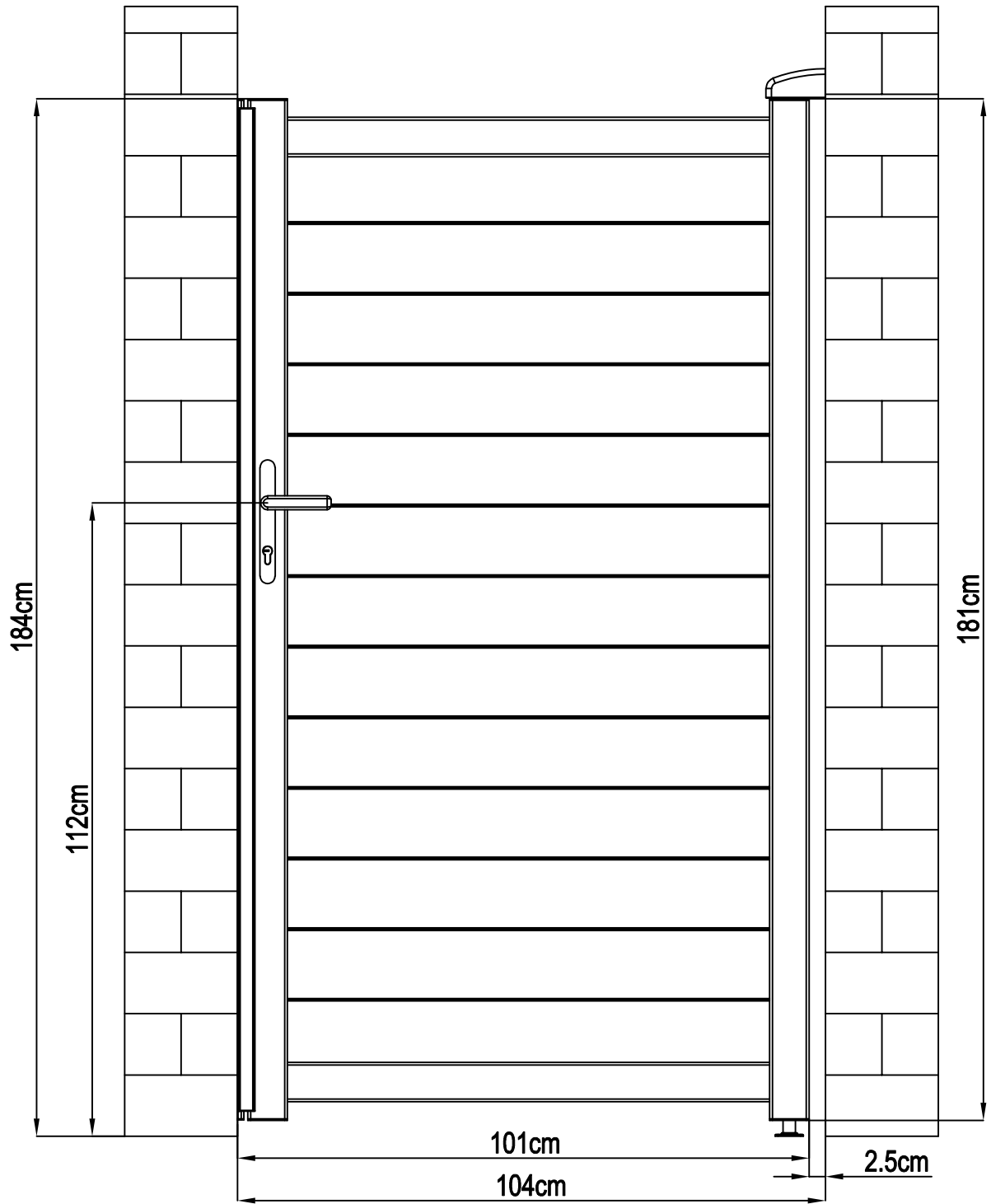


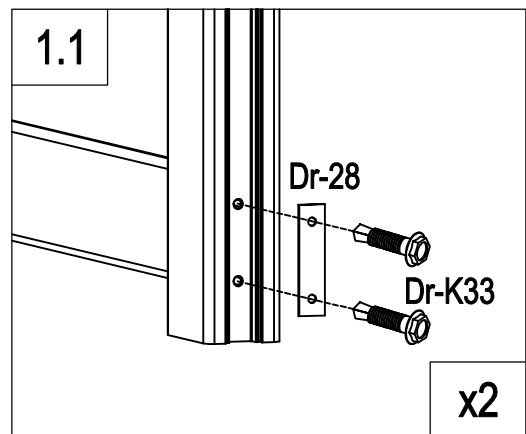
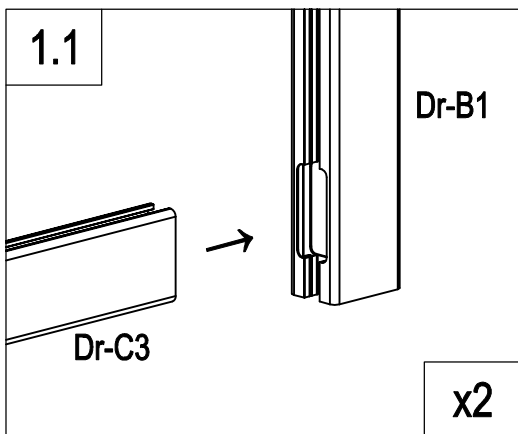
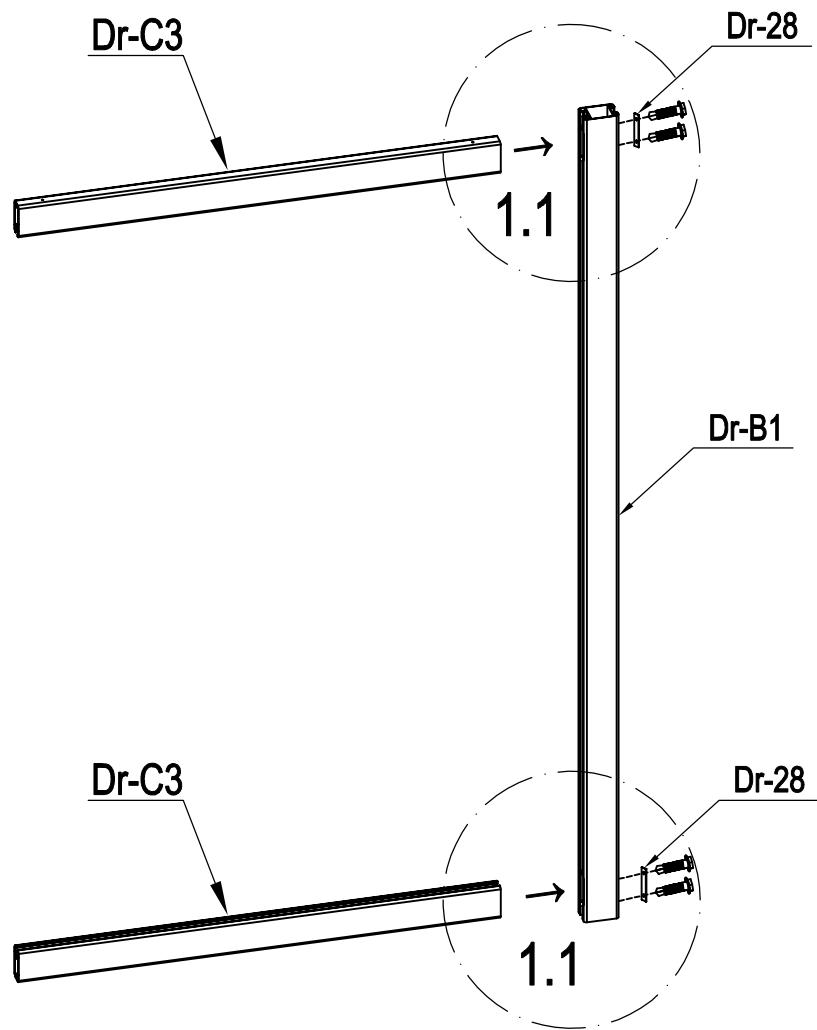
Eric





1299_102230

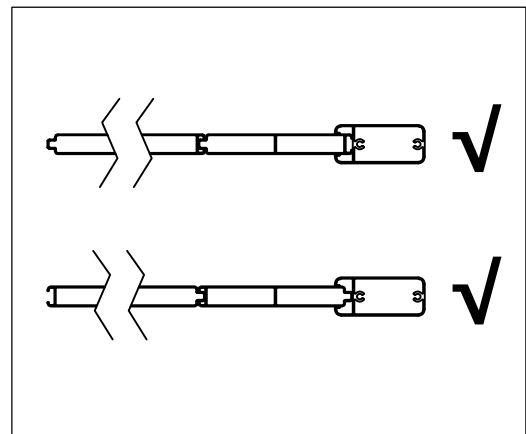
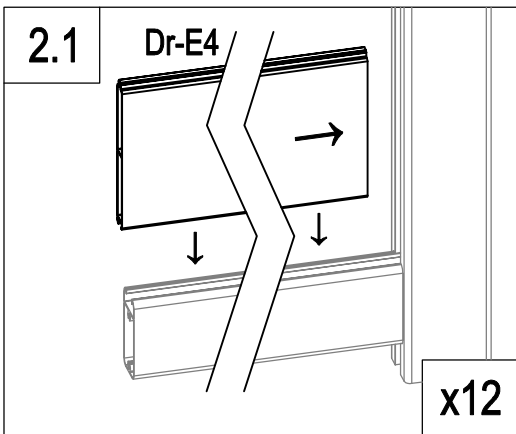
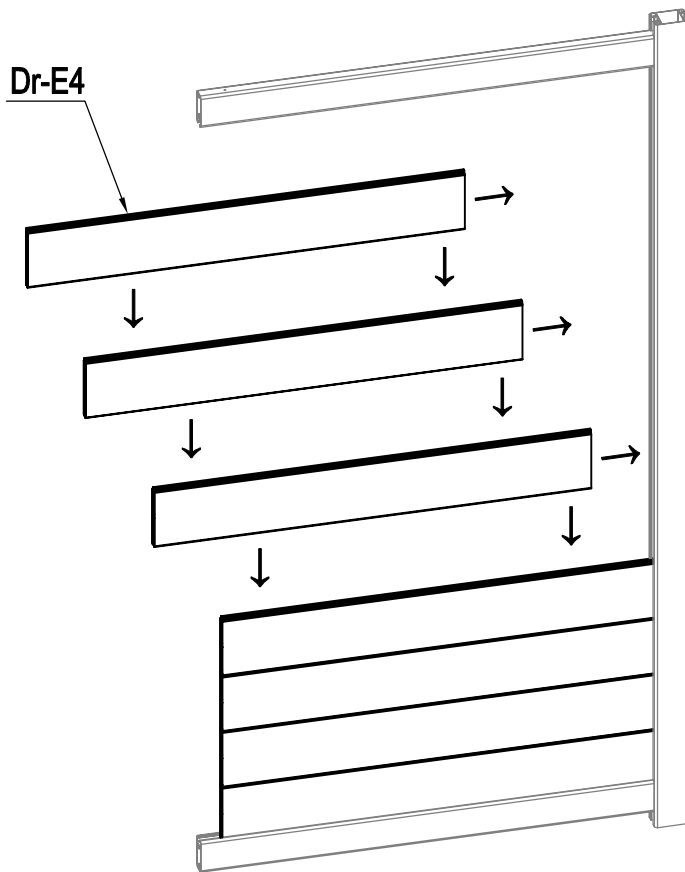


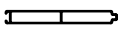


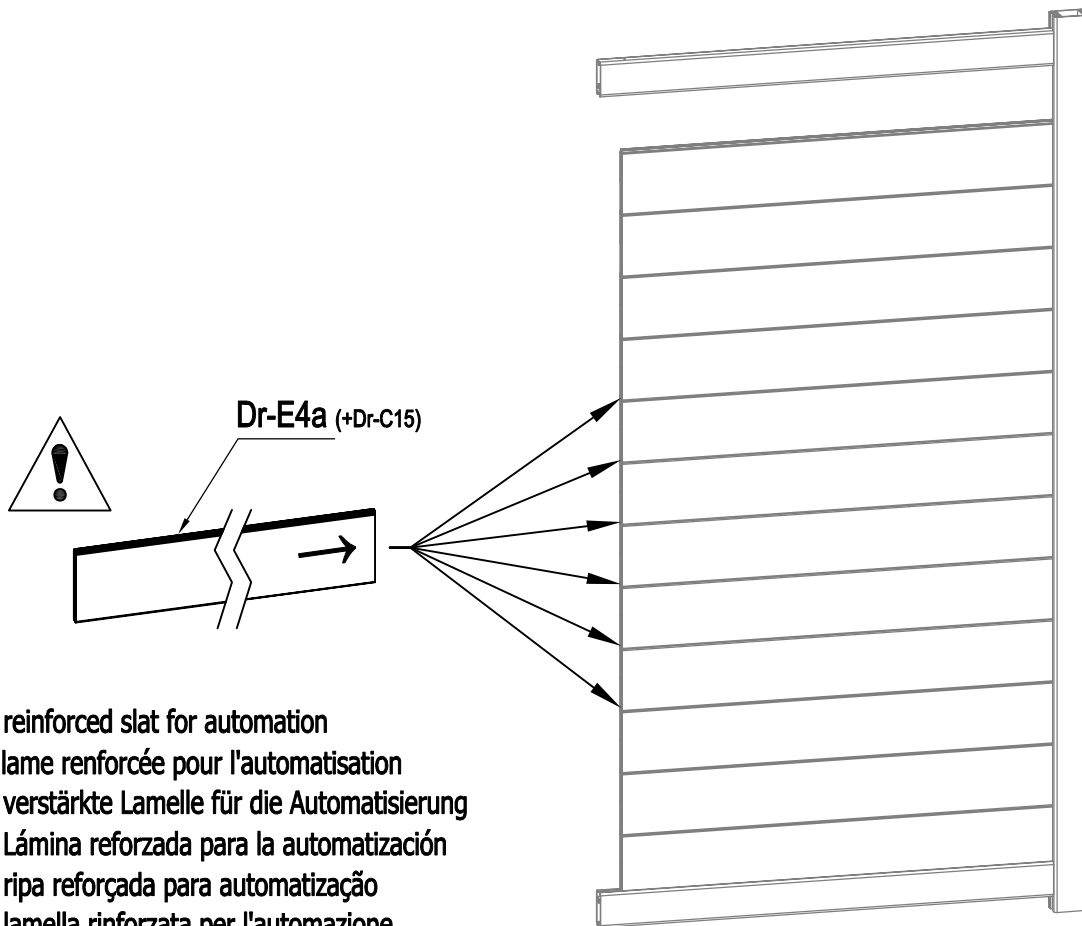




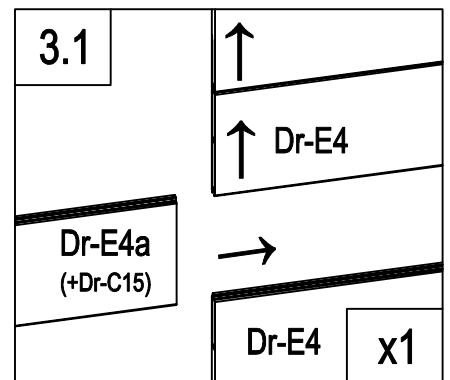
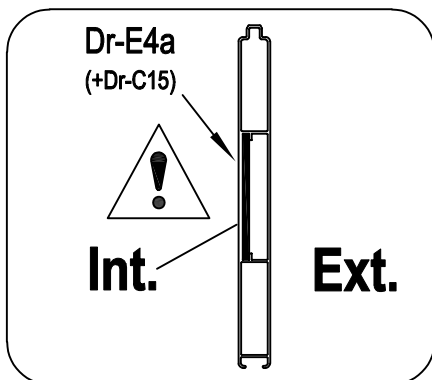
	Dr-B1	1
	Dr-C3	2
	Dr-28	2
	Dr-K33	4




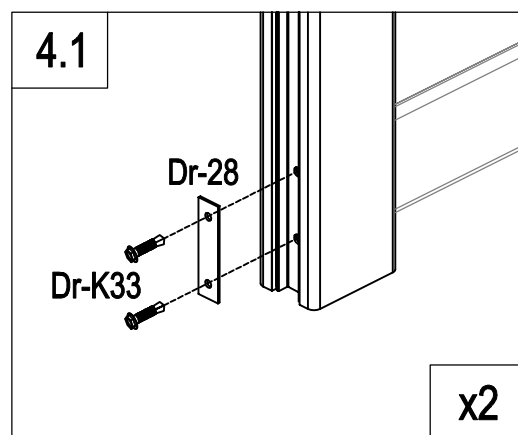
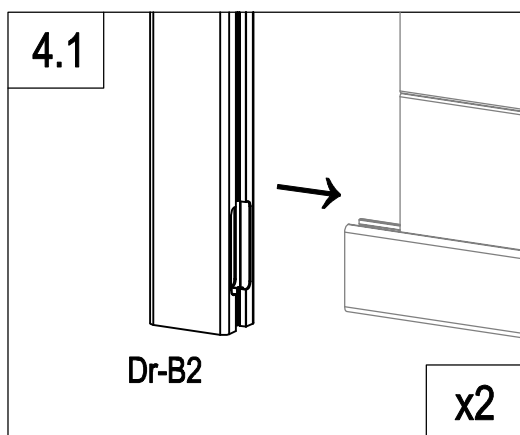
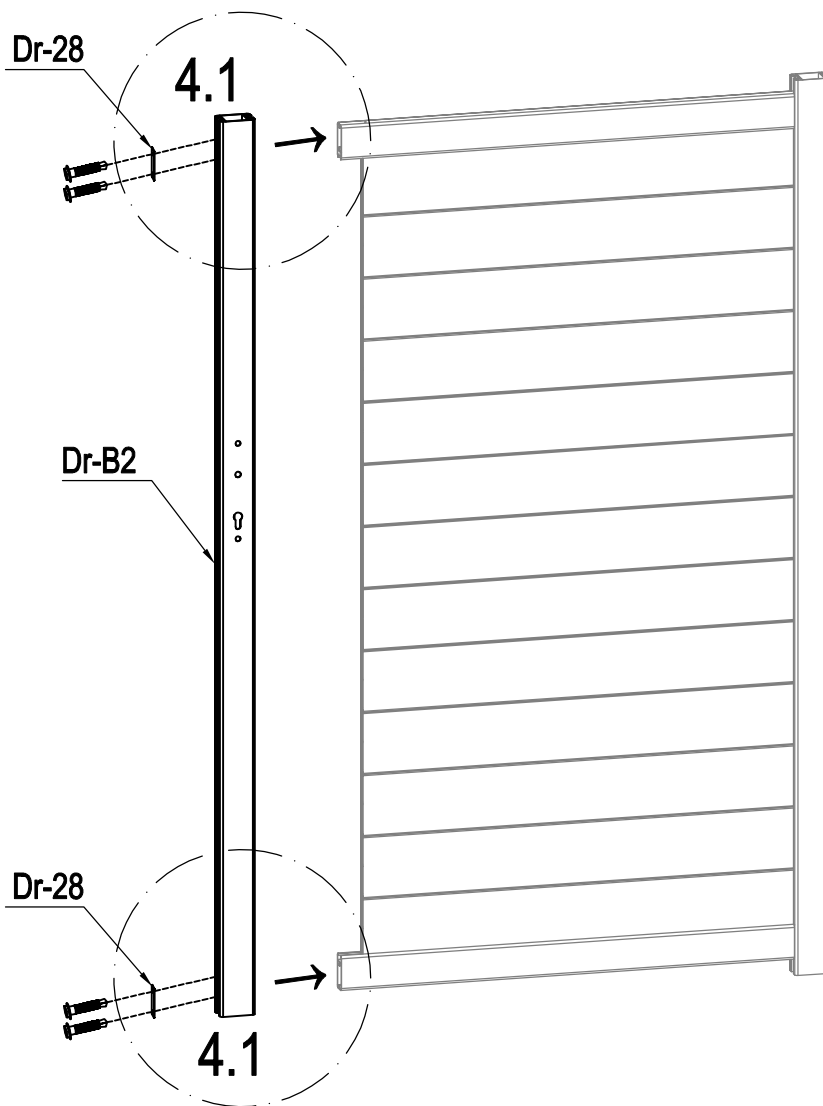
	Dr-E4	12
---	-------	----

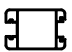




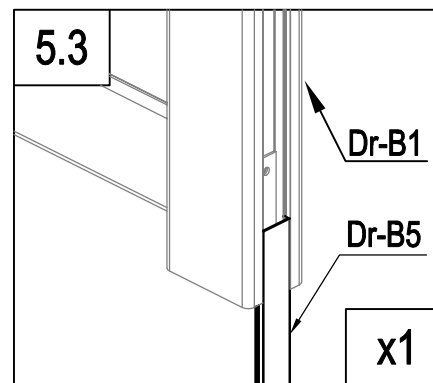
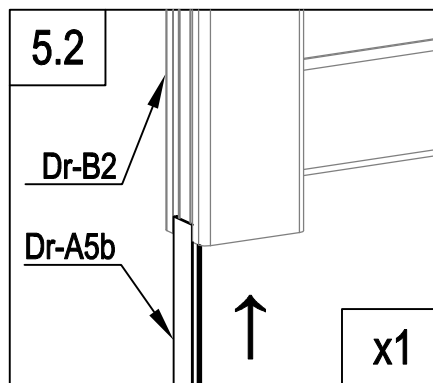
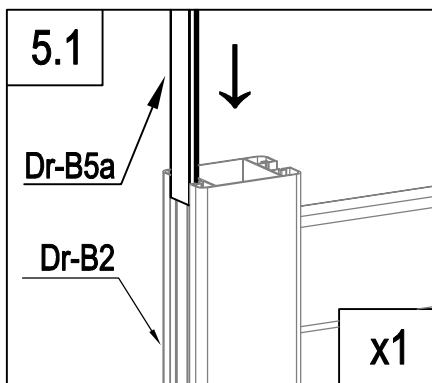
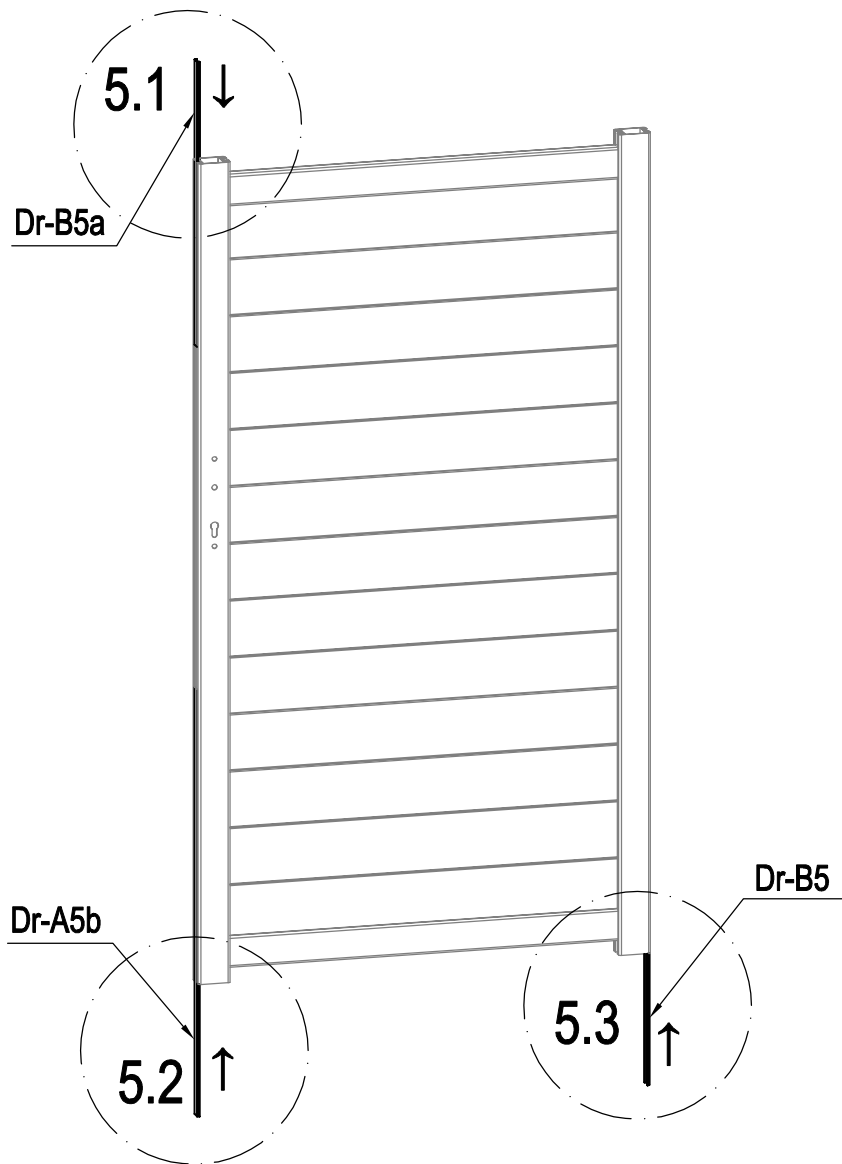
- EN: reinforced slat for automation
- FR: lame renforcée pour l'automatisation
- DE: verstärkte Lamelle für die Automatisierung
- ES: Lámina reforzada para la automatización
- PT: ripa reforçada para automatização
- IT: lamella rinforzata per l'automazione
- NL: versterkte lat voor automatisering
- PL: wzmocniona listwa do automatyzacji



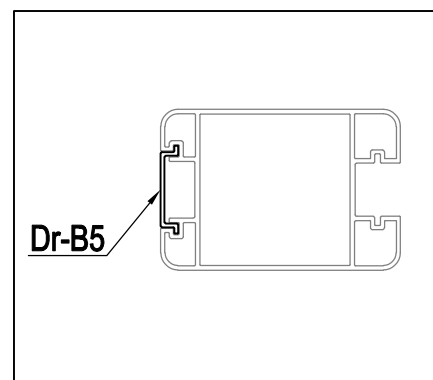
	Dr-E4a (+Dr-C15)	1
---	------------------	---

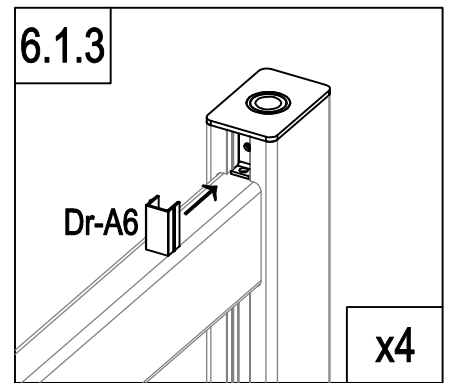
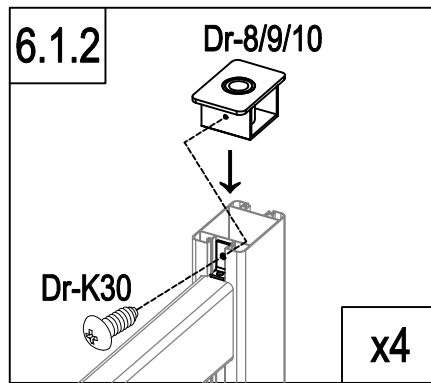
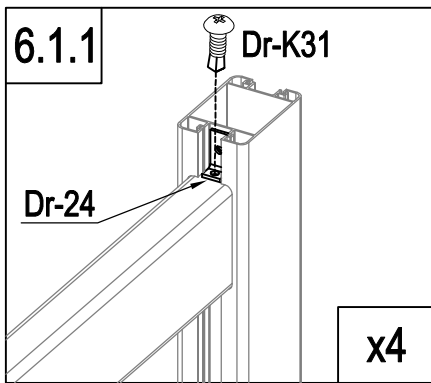
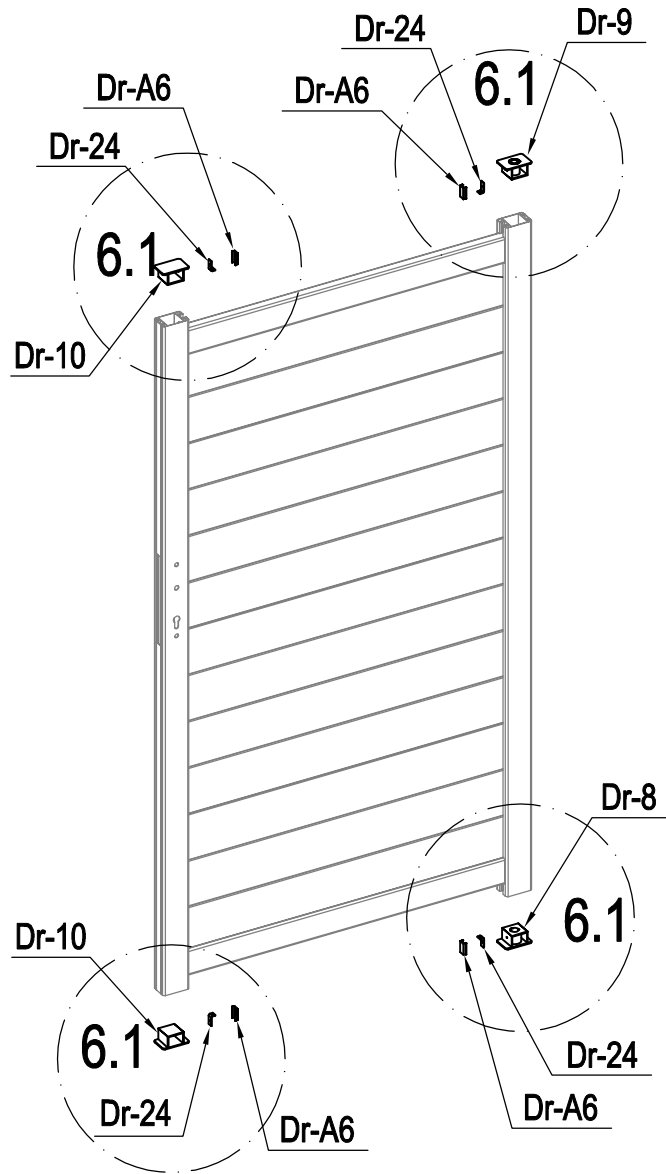


	Dr-B2	1
	Dr-28	2
	Dr-K33	4



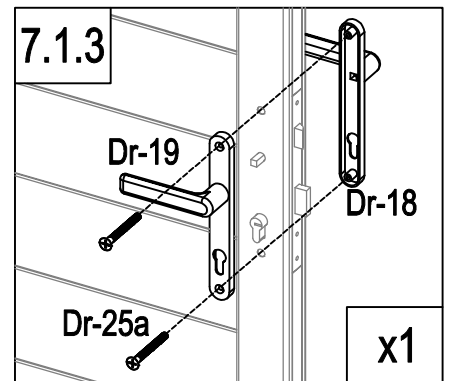
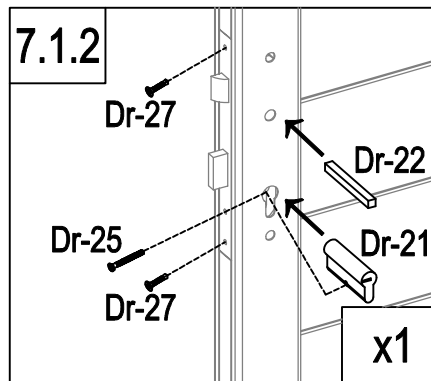
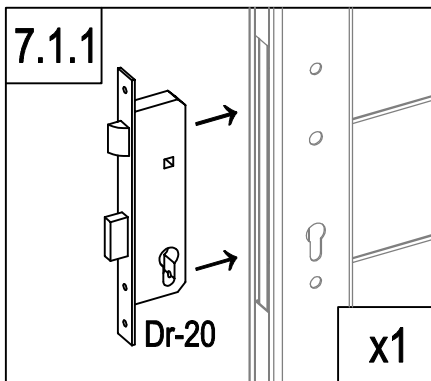
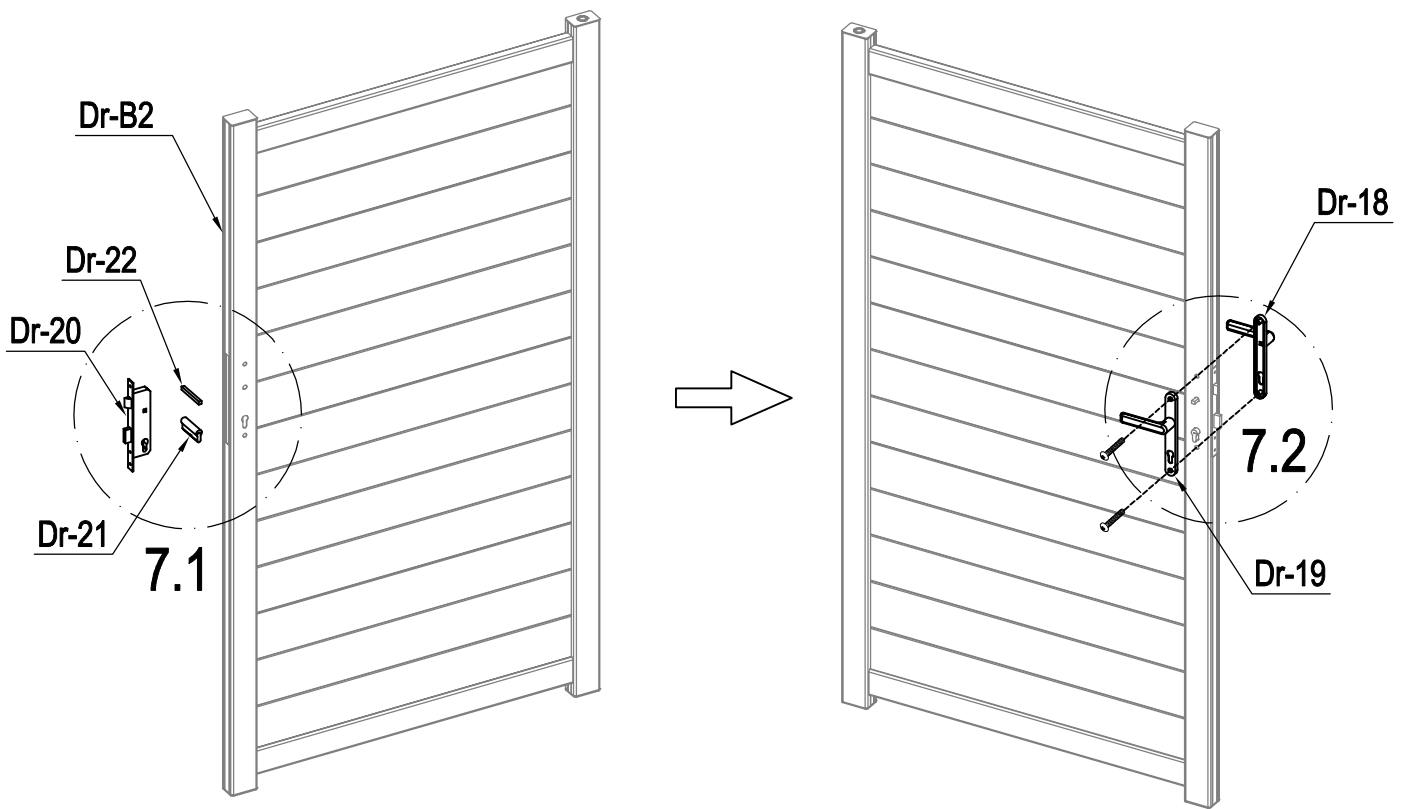
	Dr-B5	1
	Dr-B5a	1
	Dr-A5b	1





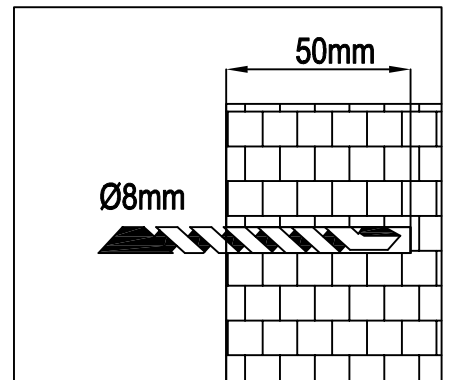
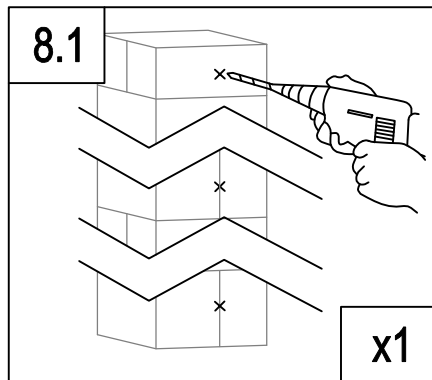
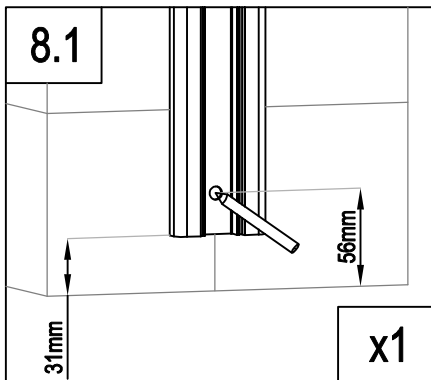
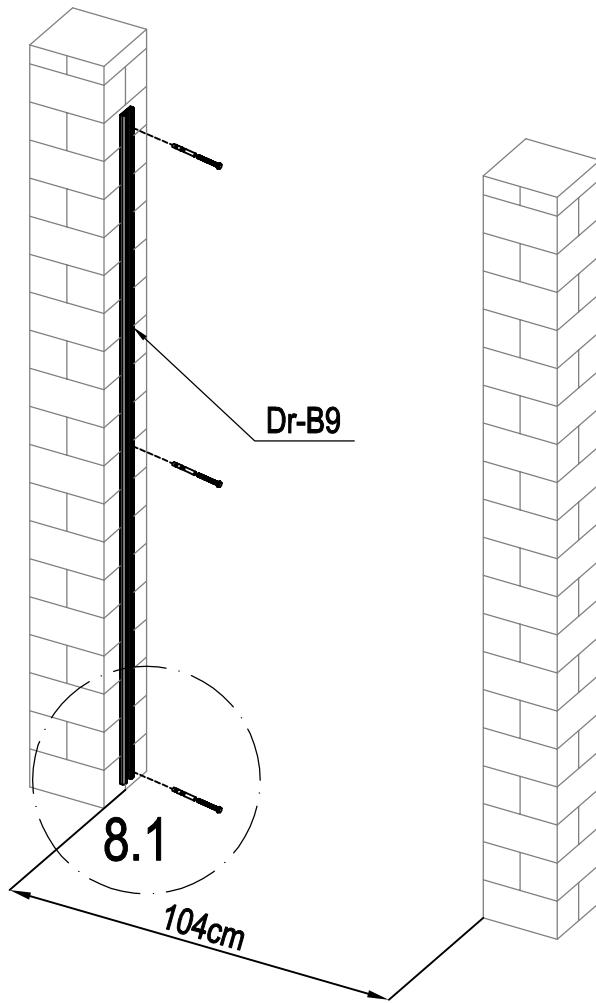
	Dr-8	1
	Dr-9	1
	Dr-10	2
	Dr-A6	4



	Dr-24	4
	Dr-K30	4
	Dr-K31	4

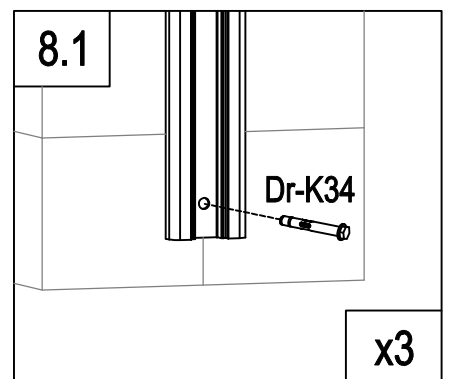


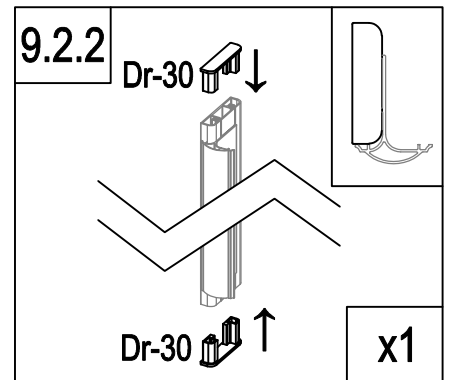
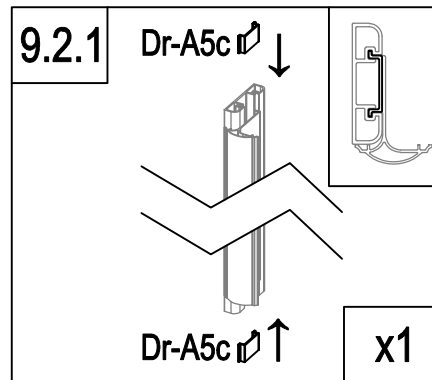
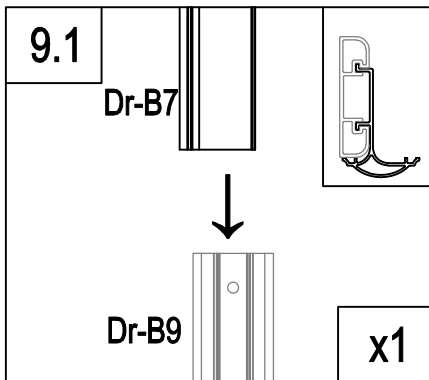
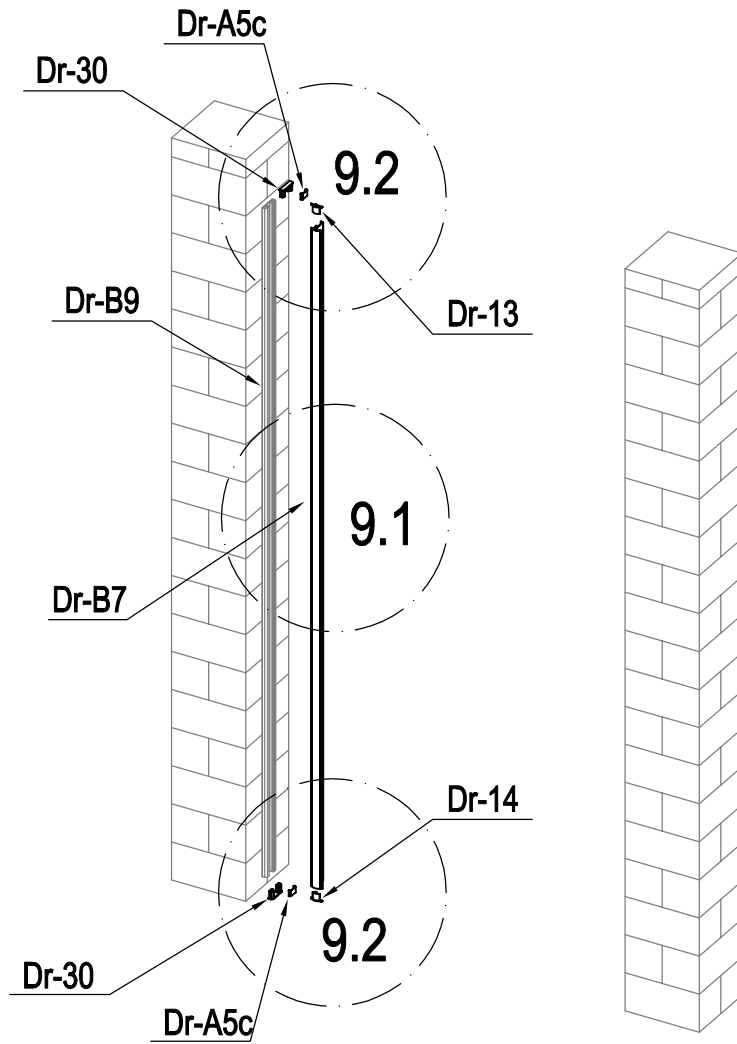
	Dr-20	1
	Dr-21	1
	Dr-22	1
	Dr-25	1

	Dr-18	1
	Dr-19	1
	Dr-25a	2
	Dr-27	2

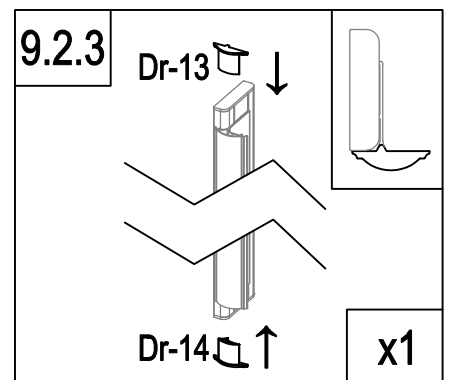


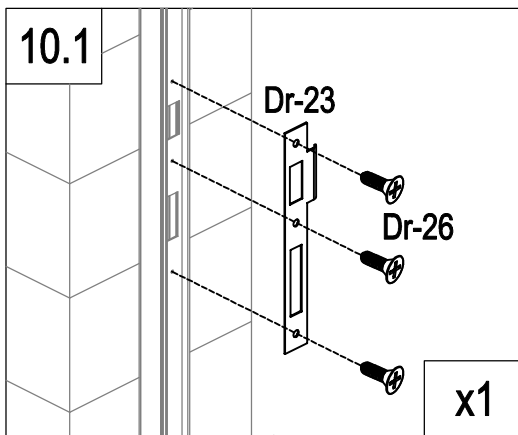
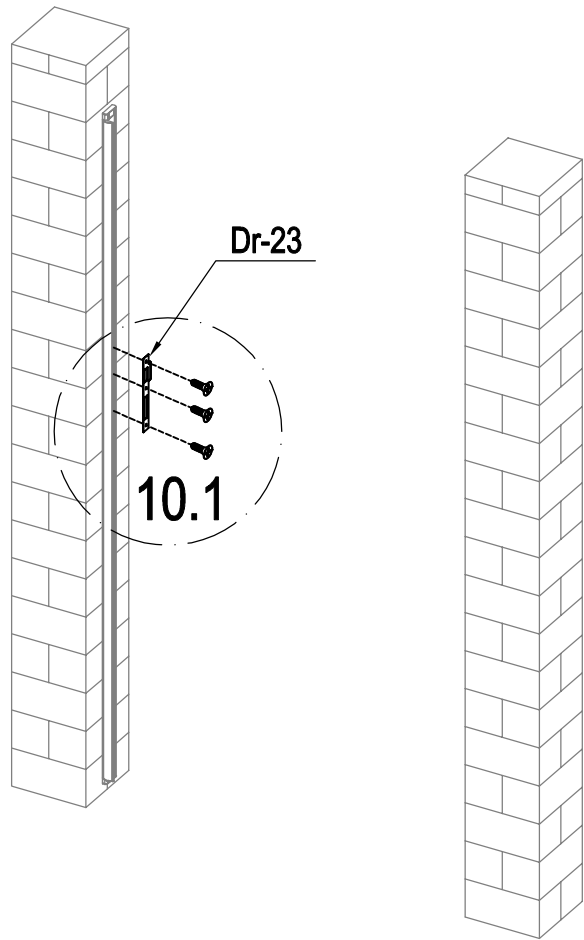
	Dr-B9	1
	Dr-K34	3



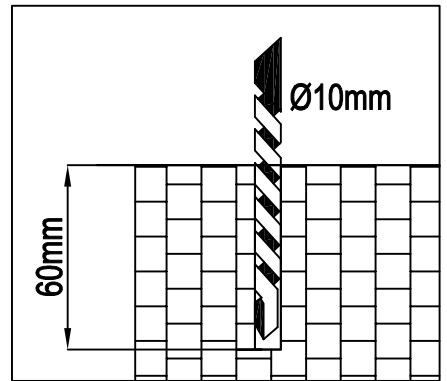
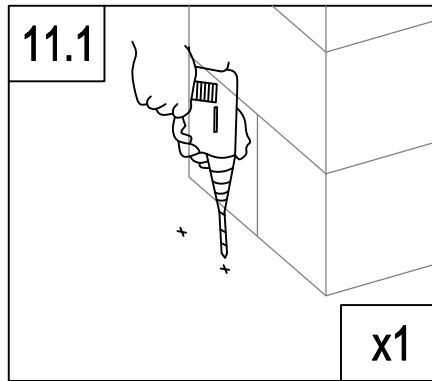
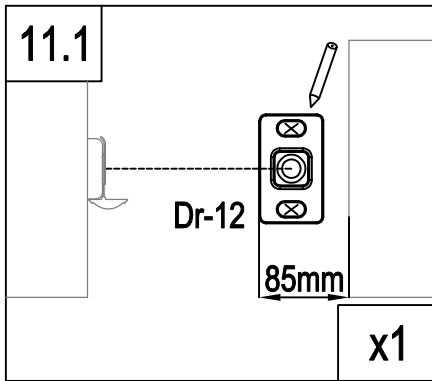
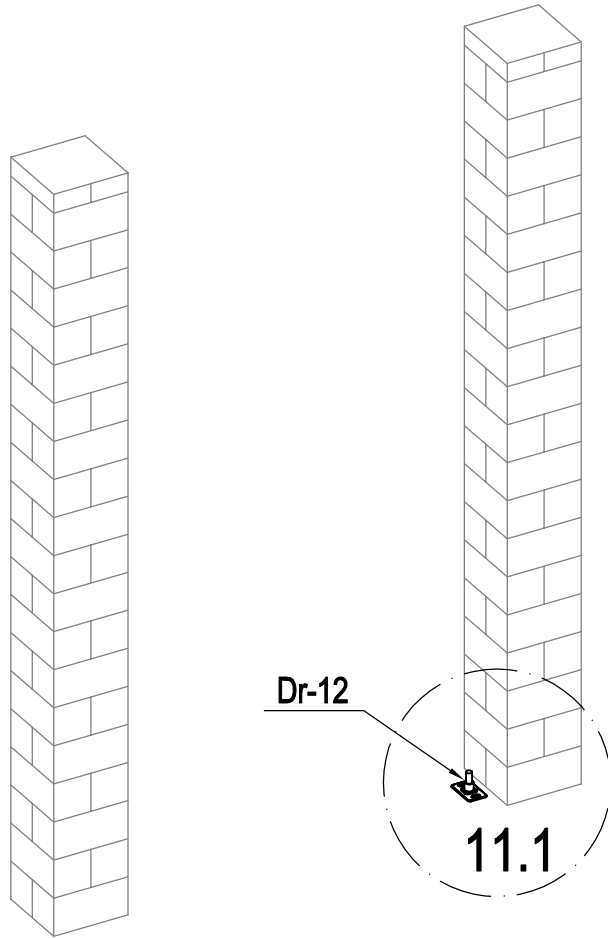




	Dr-B7	1
	Dr-13	1
	Dr-14	1
	Dr-30	2
	Dr-A5c	2

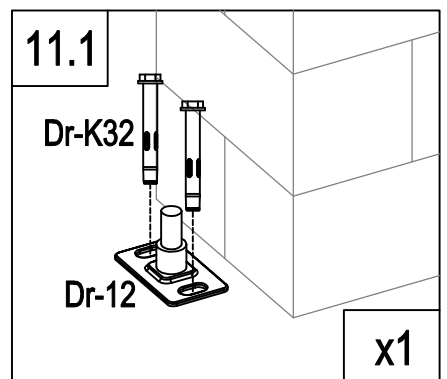


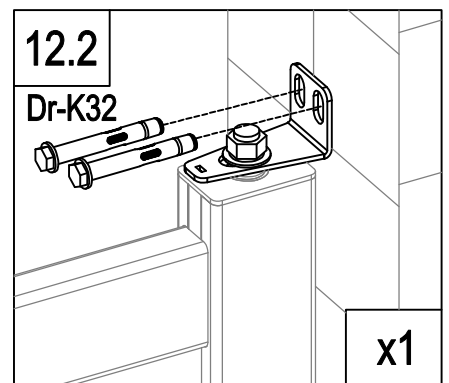
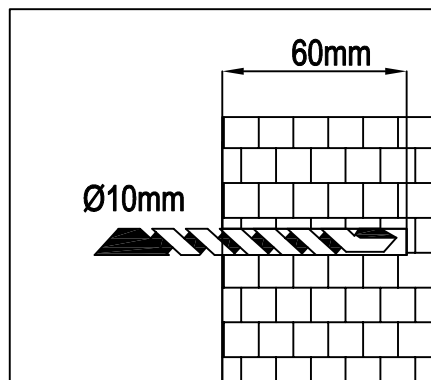
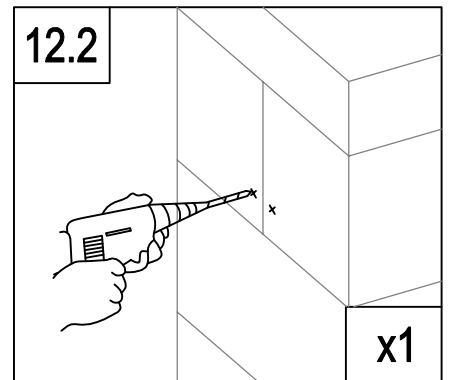
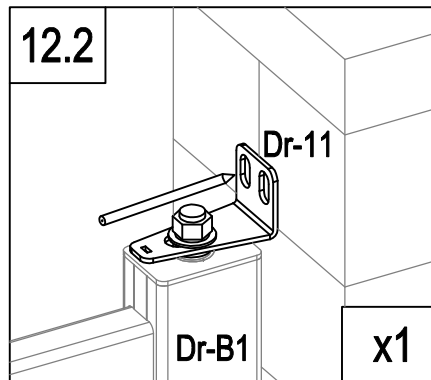
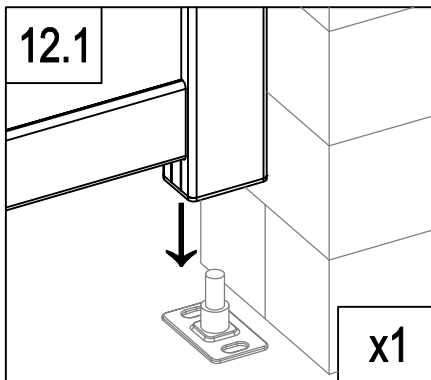
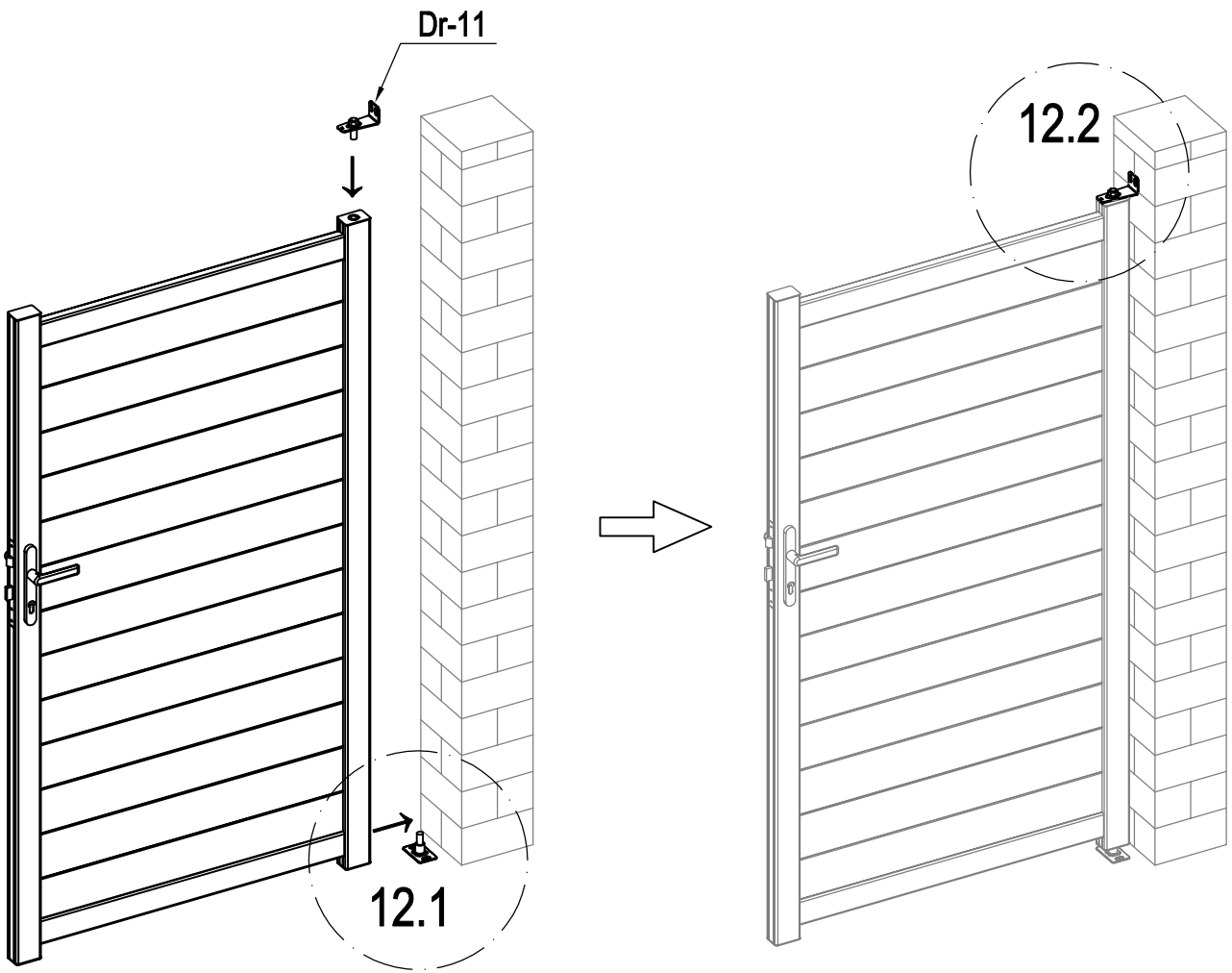




	Dr-23	1
	Dr-26	3

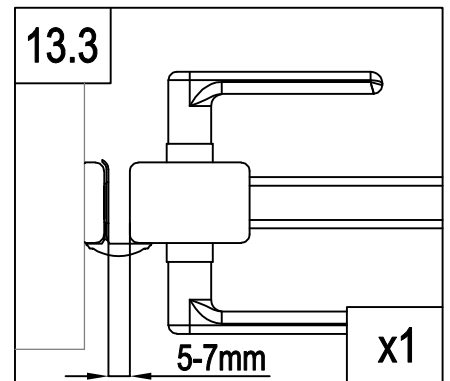
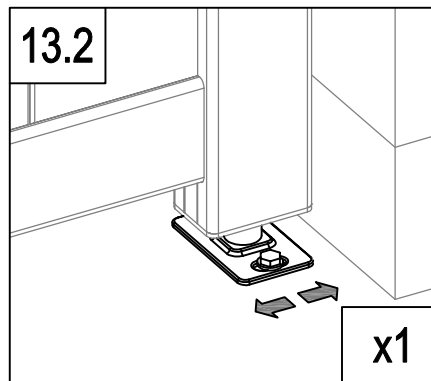
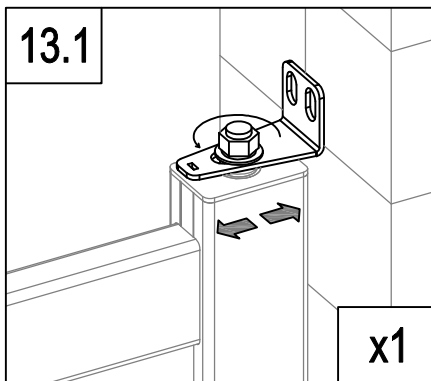
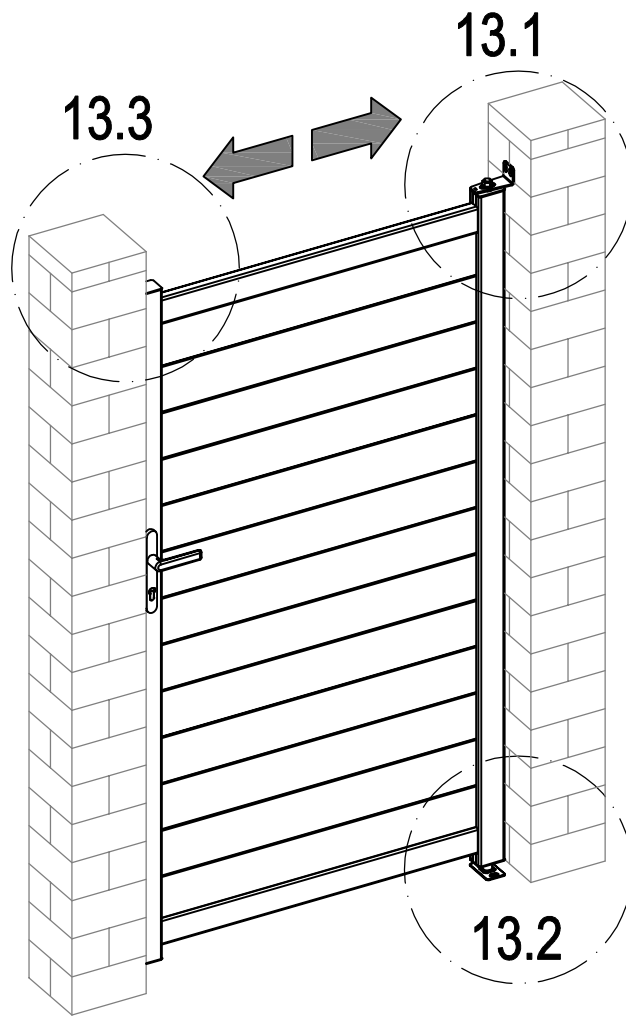


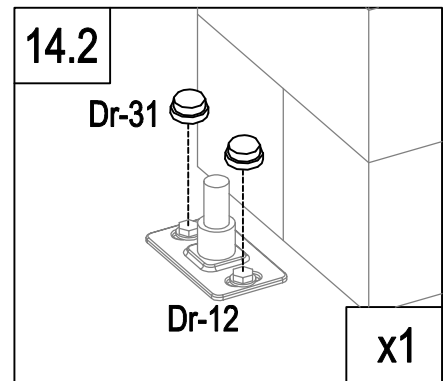
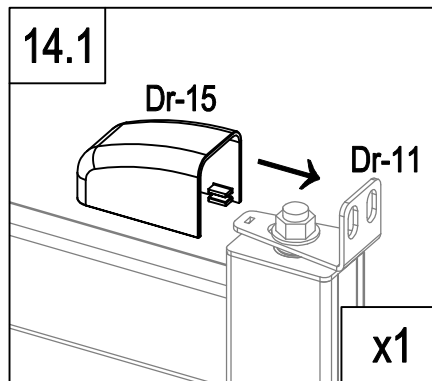
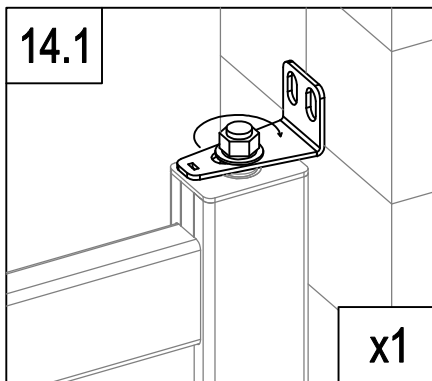
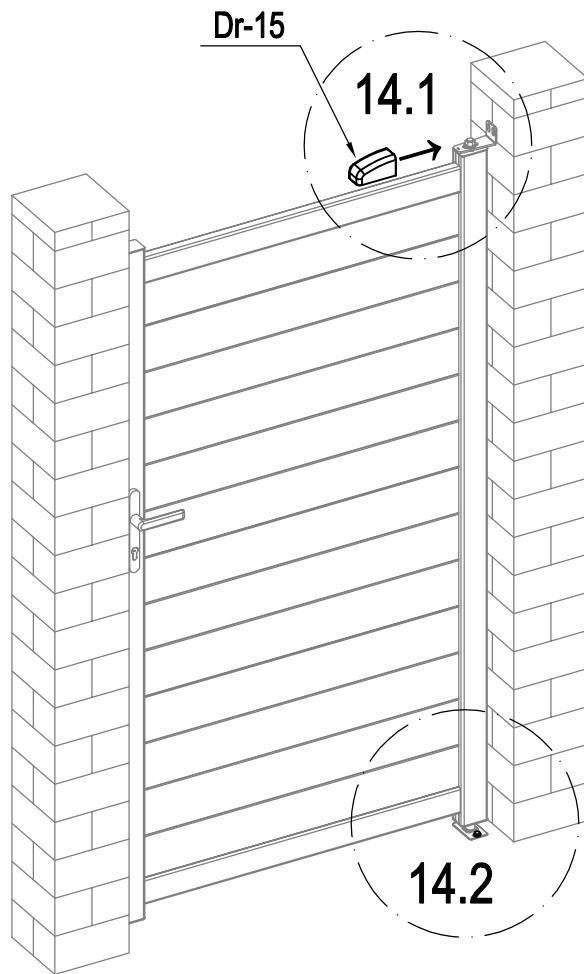
	Dr-12	1
	Dr-K32	2





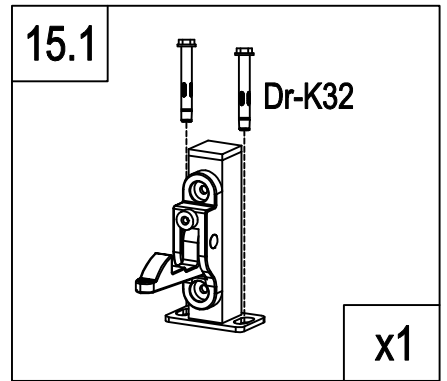
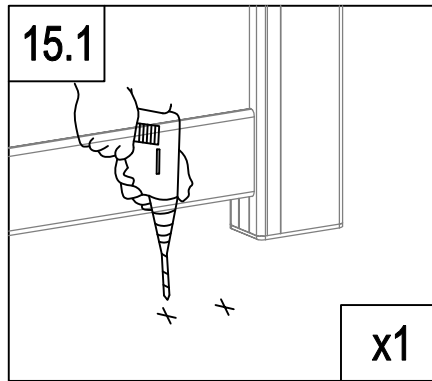
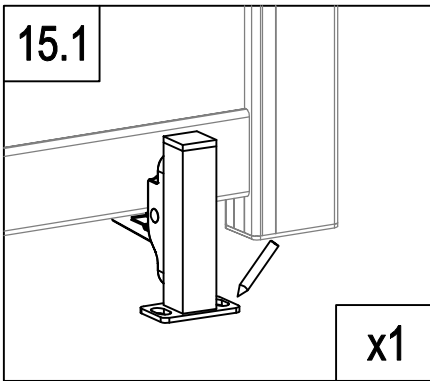
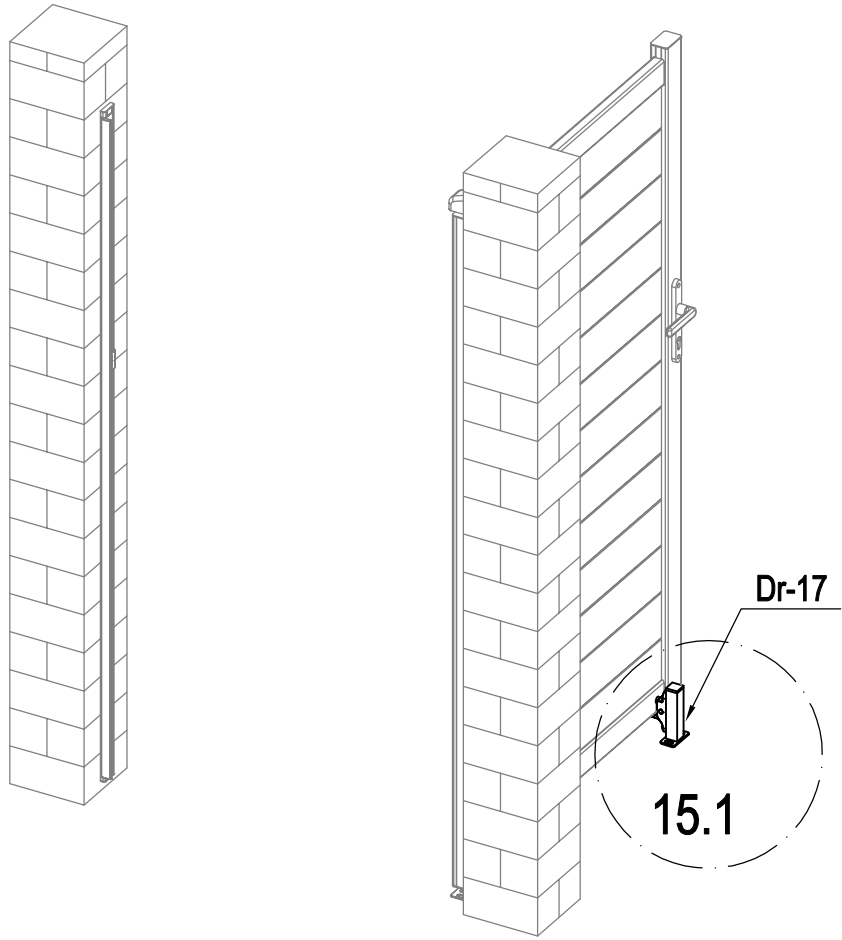




	Dr-11	1
	Dr-K32	2





	Dr-15	1
	Dr-31	2



	Dr-K32	2
	Dr-17	1

Responsable de la commercialisation du produit / Company in charge of commercializing the product / Responsable de la comercialización del producto / Responsabile della commercializzazione del prodotto:

GECODIS SA

32, rue de paradis

75010, Paris, France

Service commercial/ Commercial service/ Servicio comercial / Servizio commerciale :

Habitatetjardin.com

32, rue de paradis

75010, Paris, France

Assistance : +33 (0) 1 47 70 33 64

Service après-vente/ After sale services/ Servicio post-venta / Servizio dopo vendita:

GECODIS SA

32, rue de paradis

75010, Paris, France

<http://sav.habitatetjardin.com>