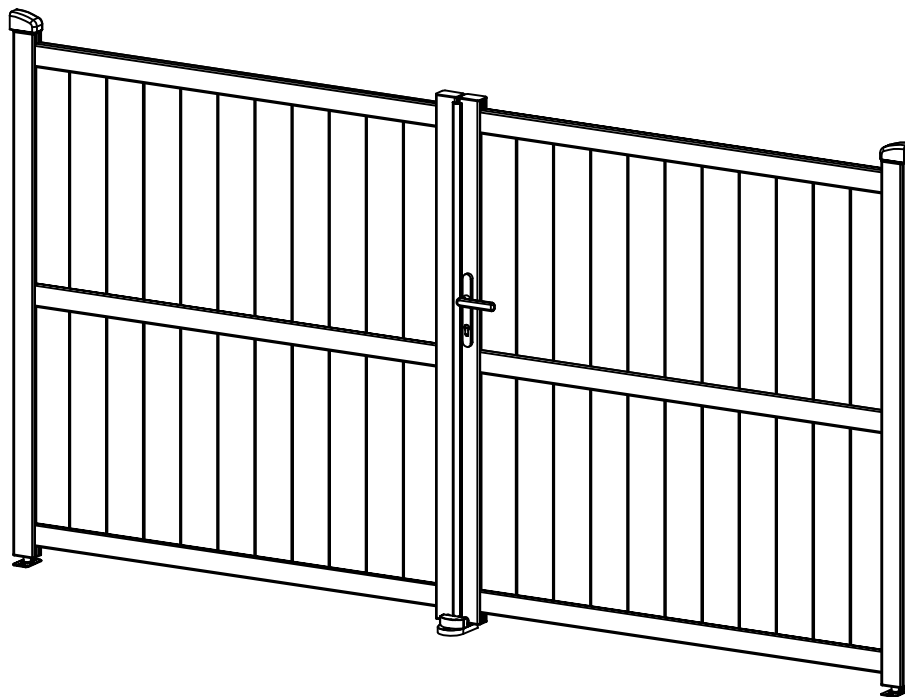
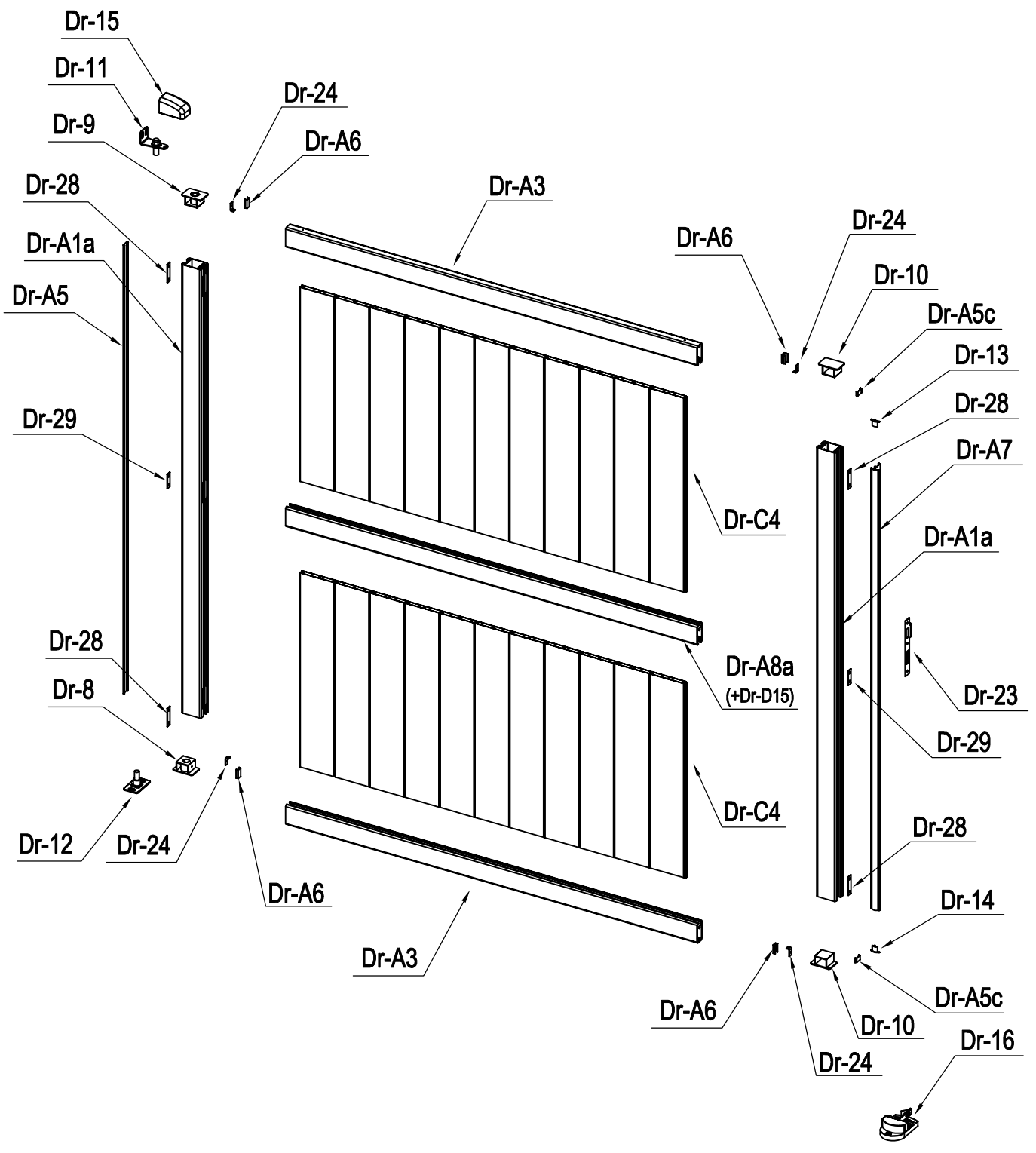
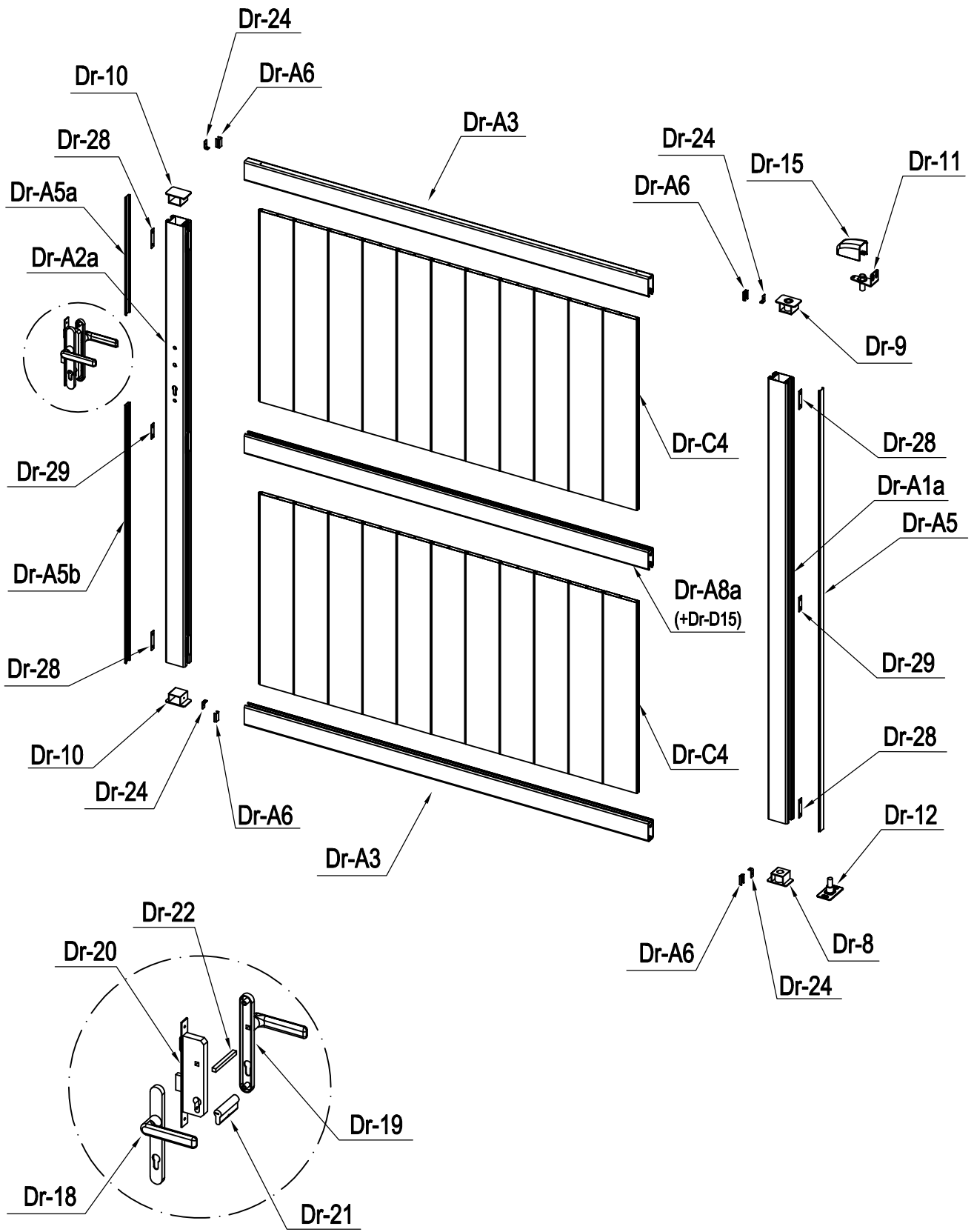


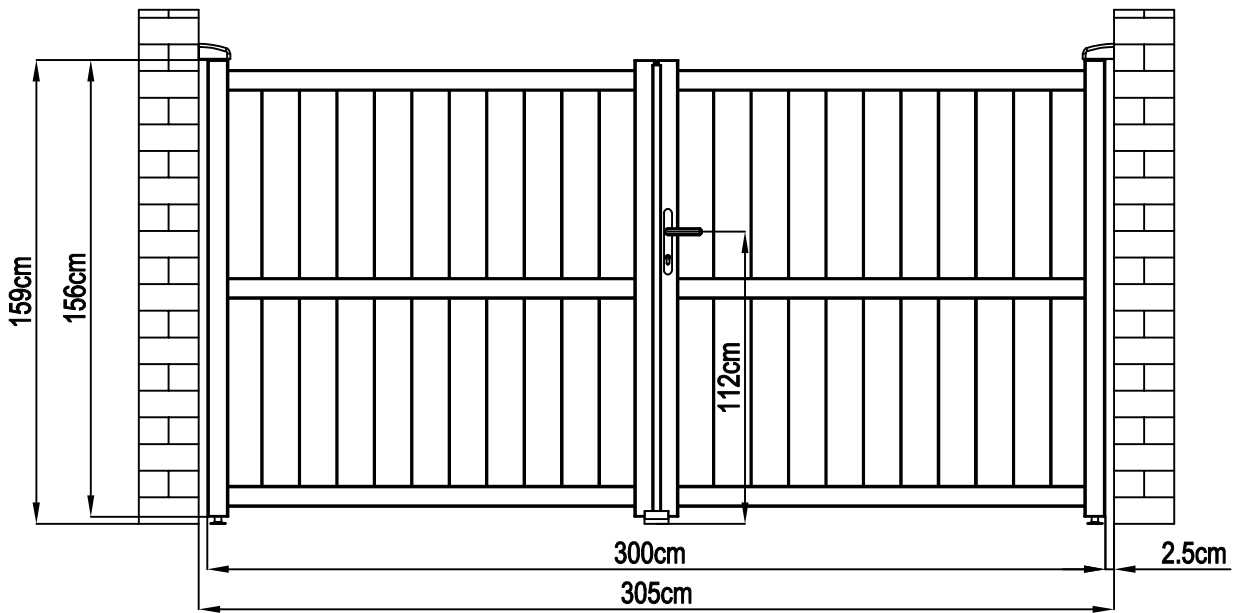
Maurice

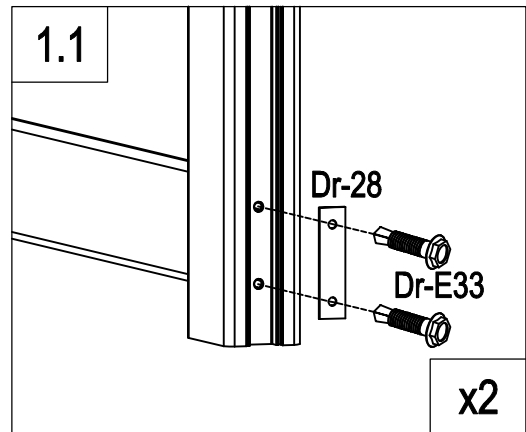
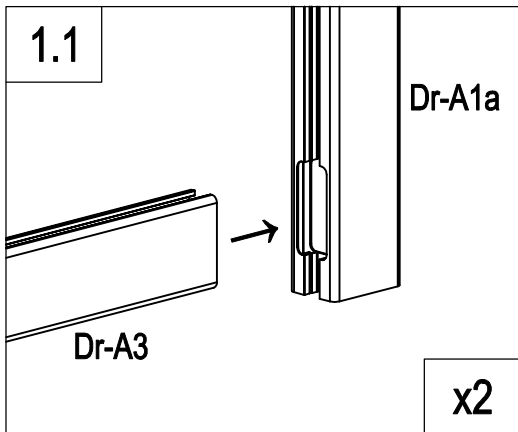
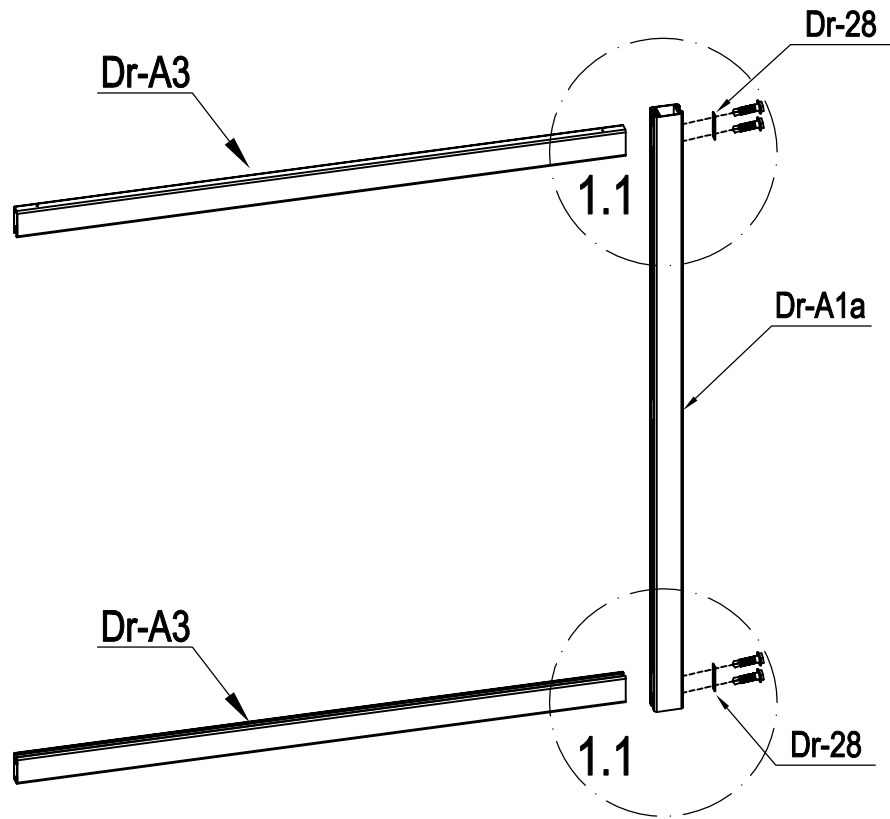
1299_102257

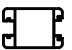
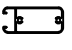




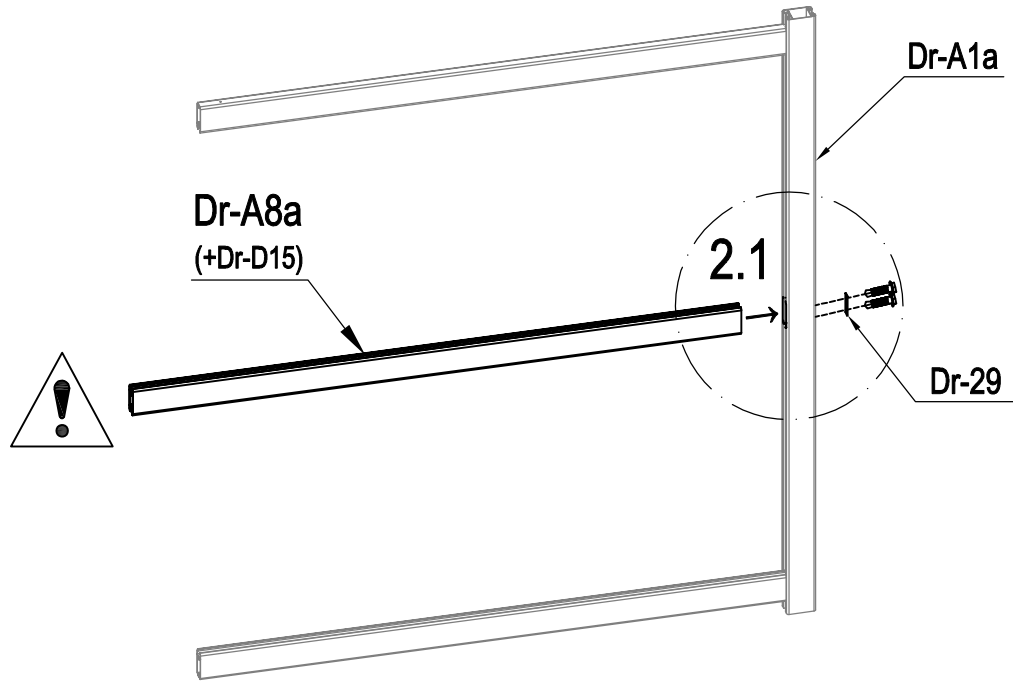




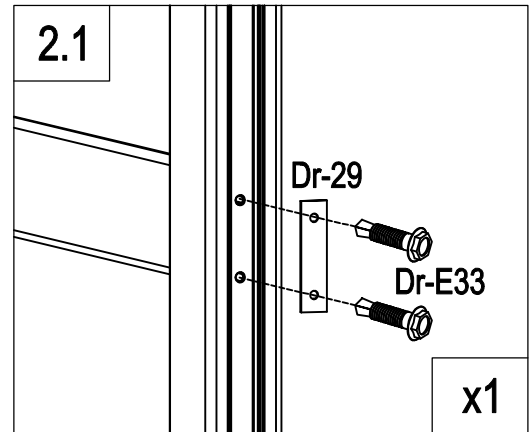
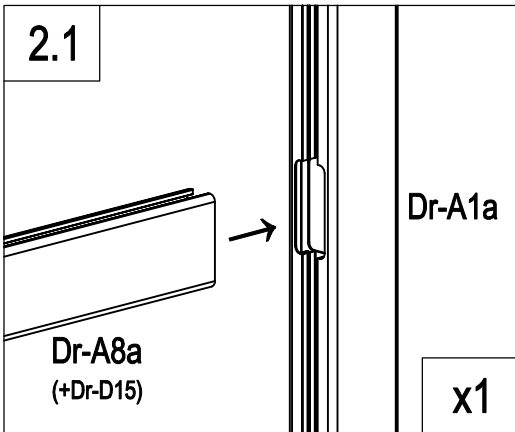


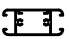




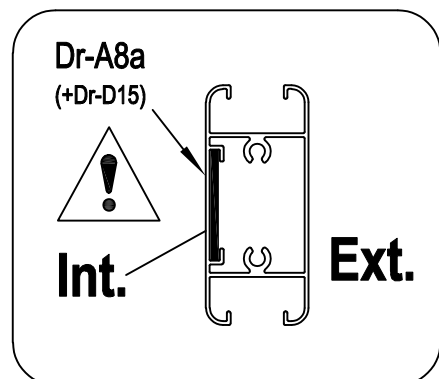
| | | |
|---|--------|---|
|  | Dr-A1a | 1 |
|  | Dr-A3 | 2 |
|  | Dr-28 | 2 |
|  | Dr-E33 | 4 |

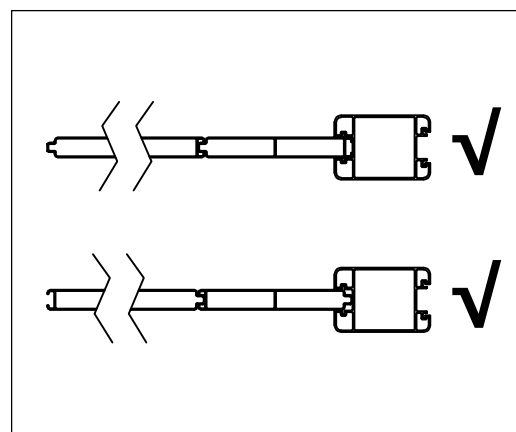
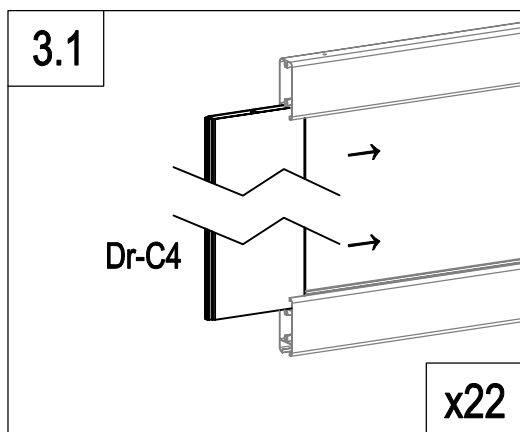
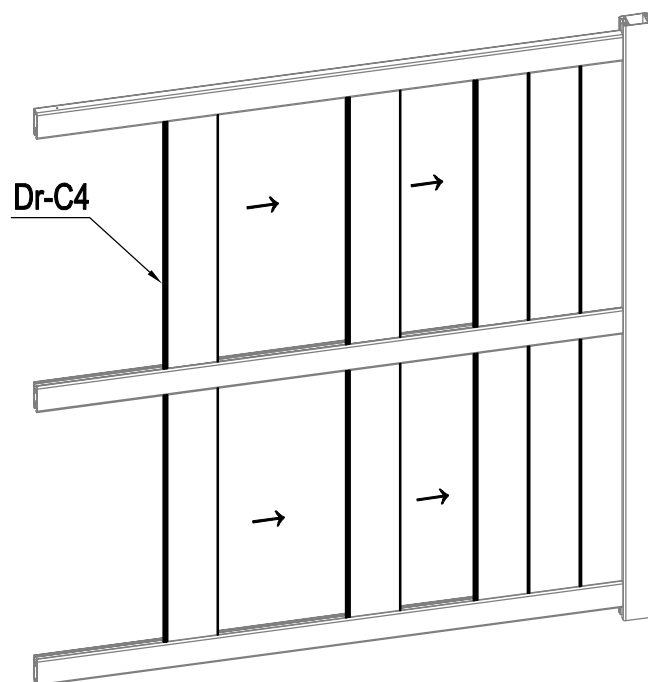


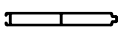
- EN: reinforced slat for automation
- FR: lame renforcée pour l'automatisation
- DE: verstärkte Lamelle für die Automatisierung
- ES: Lámina reforzada para la automatización
- PT: ripa reforçada para automatização
- IT: lamella rinforzata per l'automazione
- NL: versterkte lat voor automatisering
- PL: wzmocniona listwa do automatyzacji

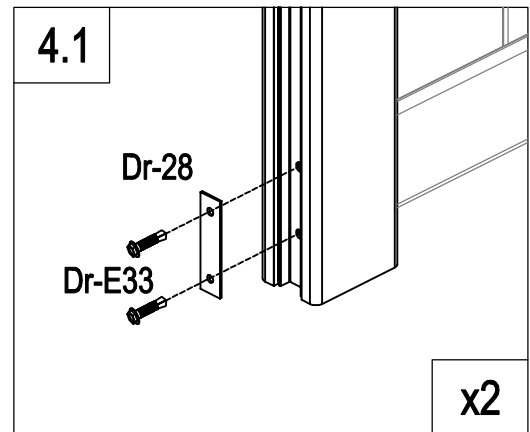
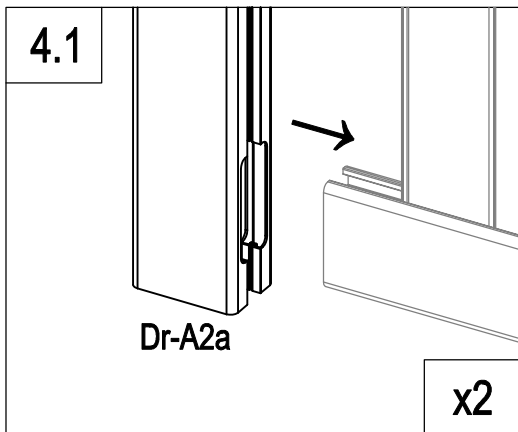
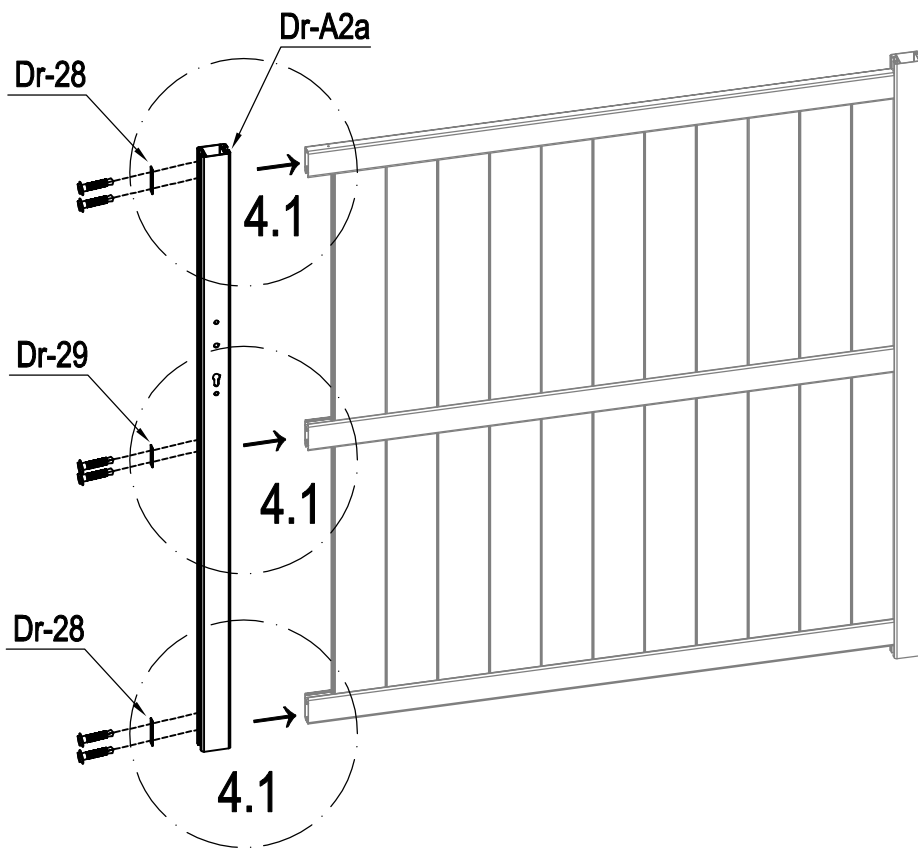






| | | |
|---|----------------------------|---|
|  | Dr-A8a (+Dr-D15) | 1 |
|  | Dr-29 | 1 |
|  | Dr-E33 | 2 |

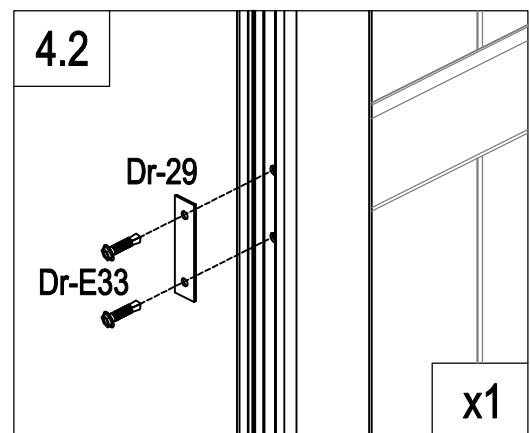


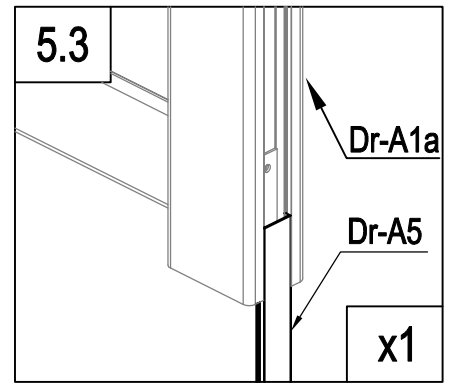
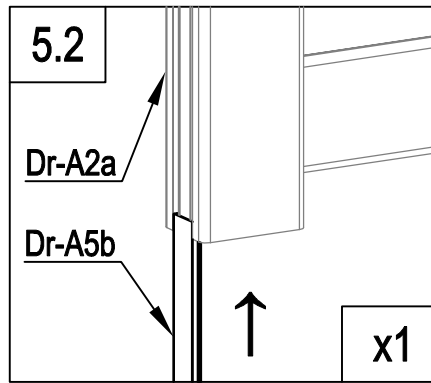
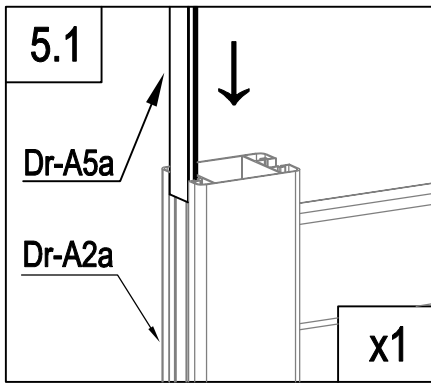
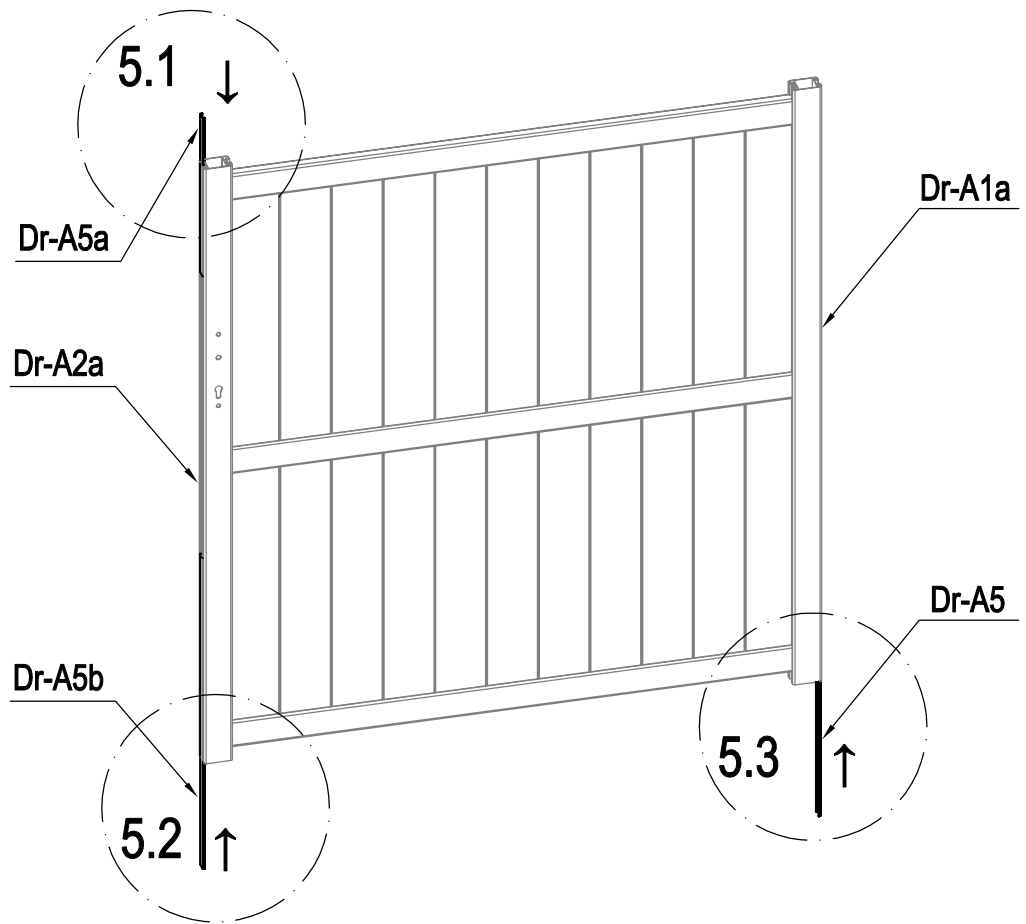



| | | |
|---|-------|----|
|  | Dr-C4 | 22 |
|---|-------|----|

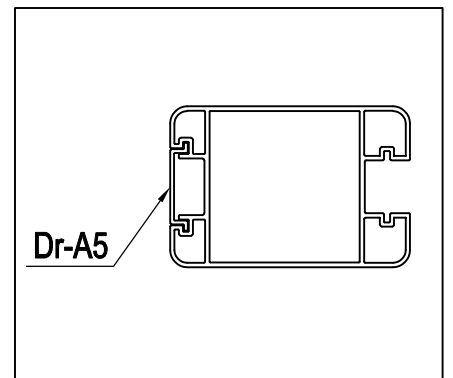


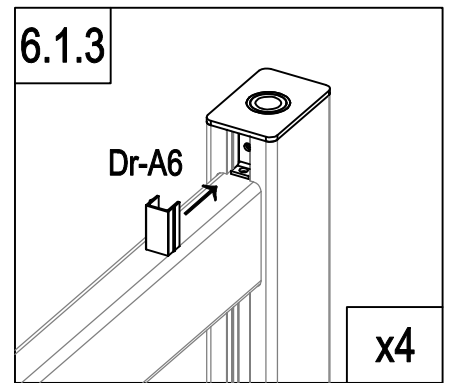
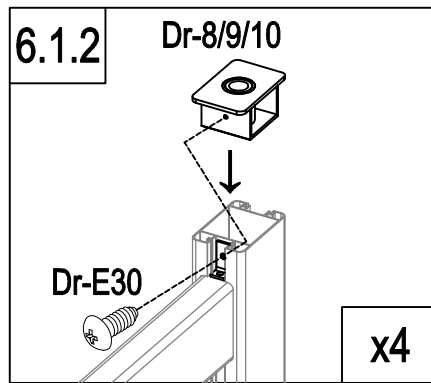
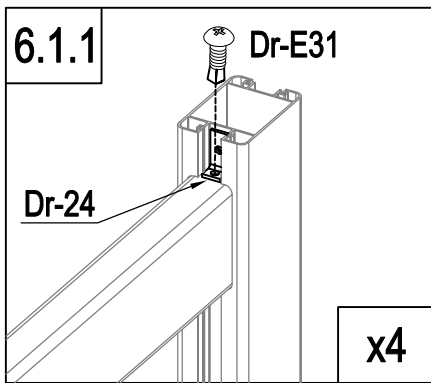
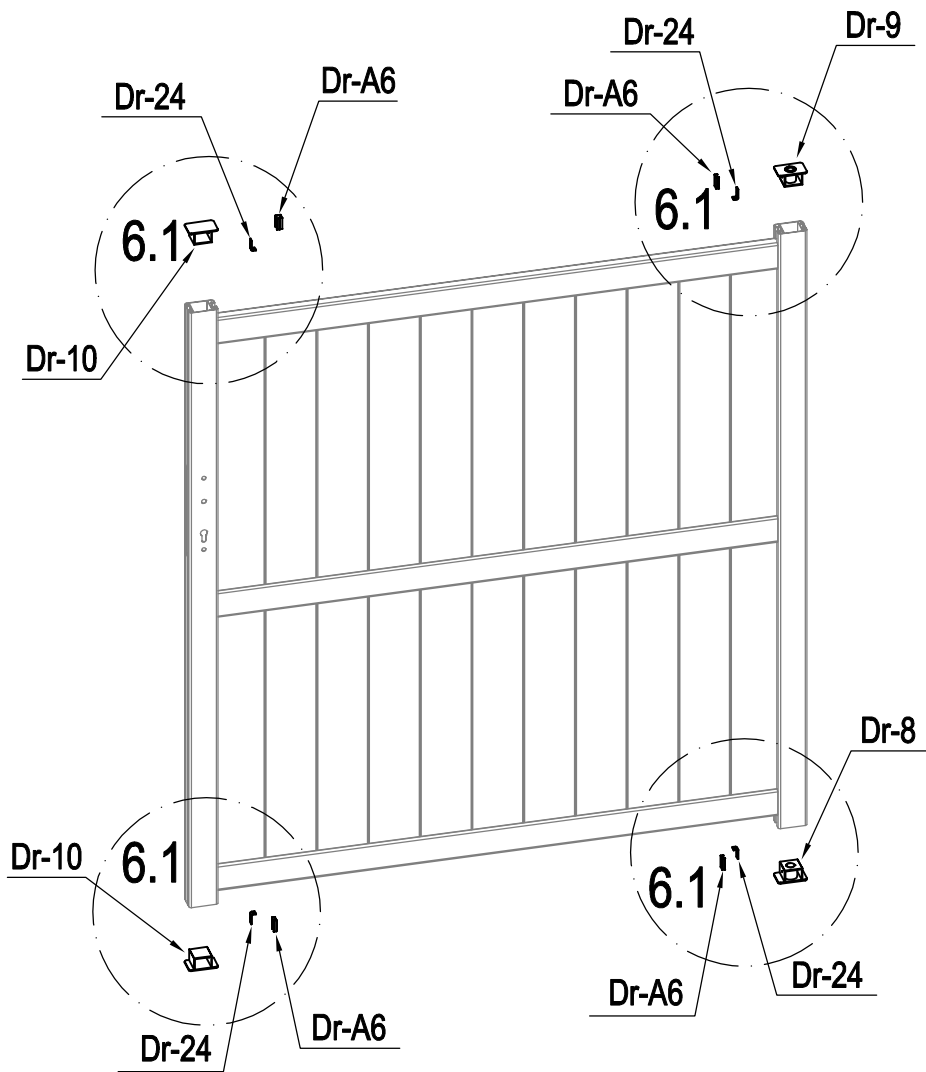
| | | |
|---|--------|---|
|  | Dr-A2a | 1 |
|  | Dr-28 | 2 |
|  | Dr-29 | 1 |
|  | Dr-E33 | 6 |





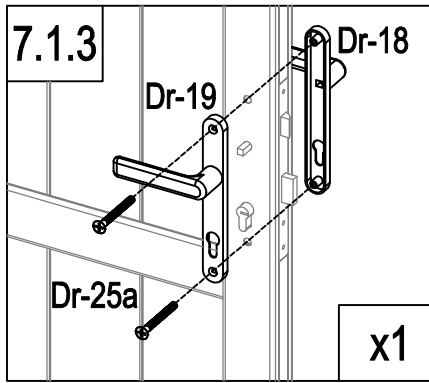
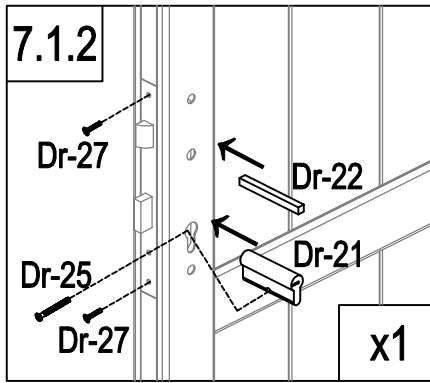
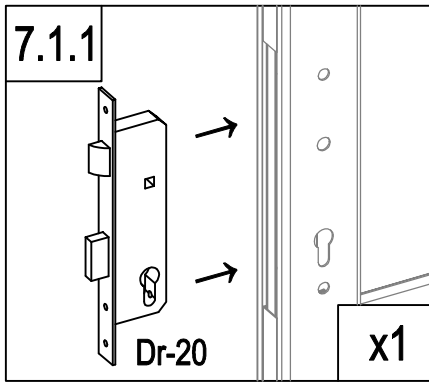
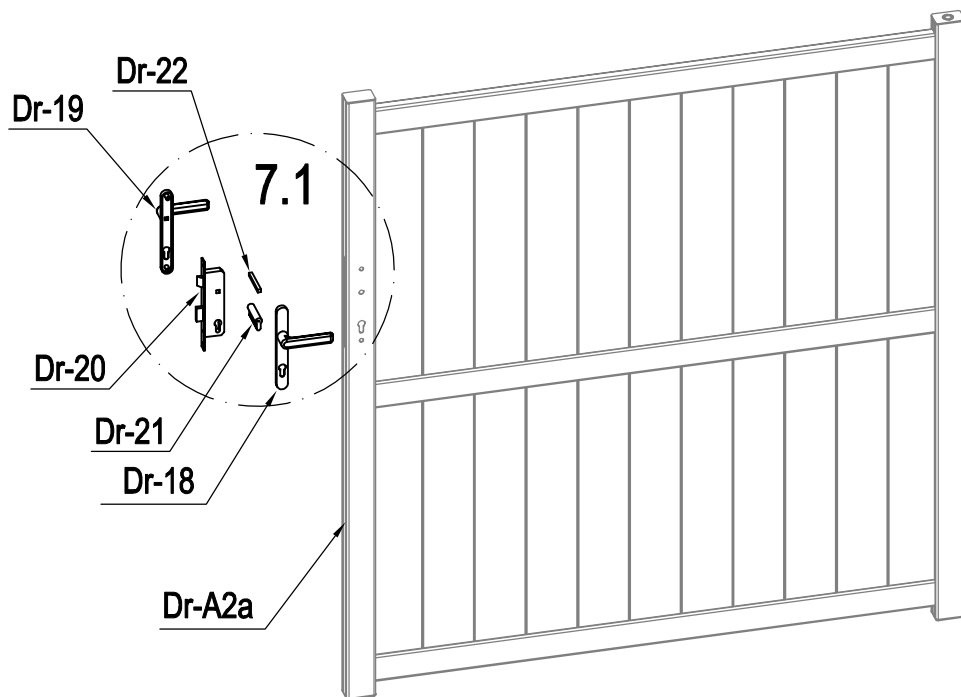
| | | |
|---|--------|---|
|  | Dr-A5 | 1 |
| | Dr-A5a | 1 |
| | Dr-A5b | 1 |





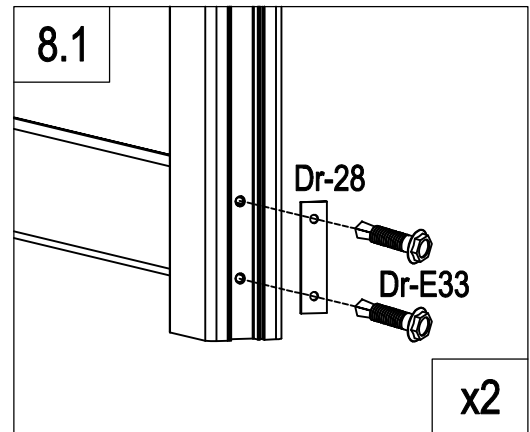
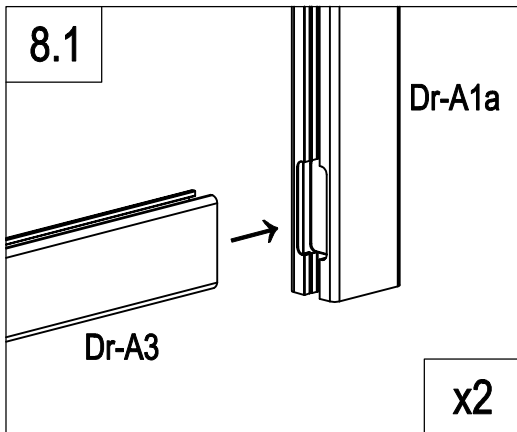
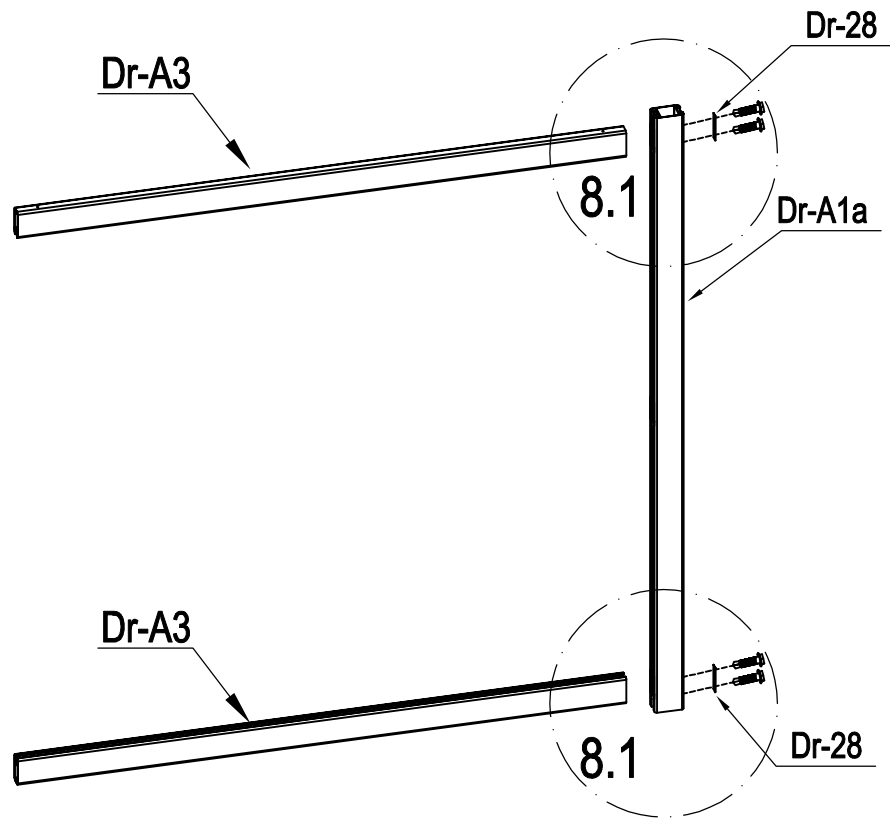
| | | |
|--|--------------|----------|
| | Dr-8 | 1 |
| | Dr-9 | 1 |
| | Dr-10 | 2 |
| | Dr-A6 | 4 |

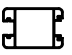
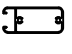


| | | |
|--|---------------|----------|
| | Dr-24 | 4 |
| | Dr-E30 | 4 |
| | Dr-E31 | 4 |

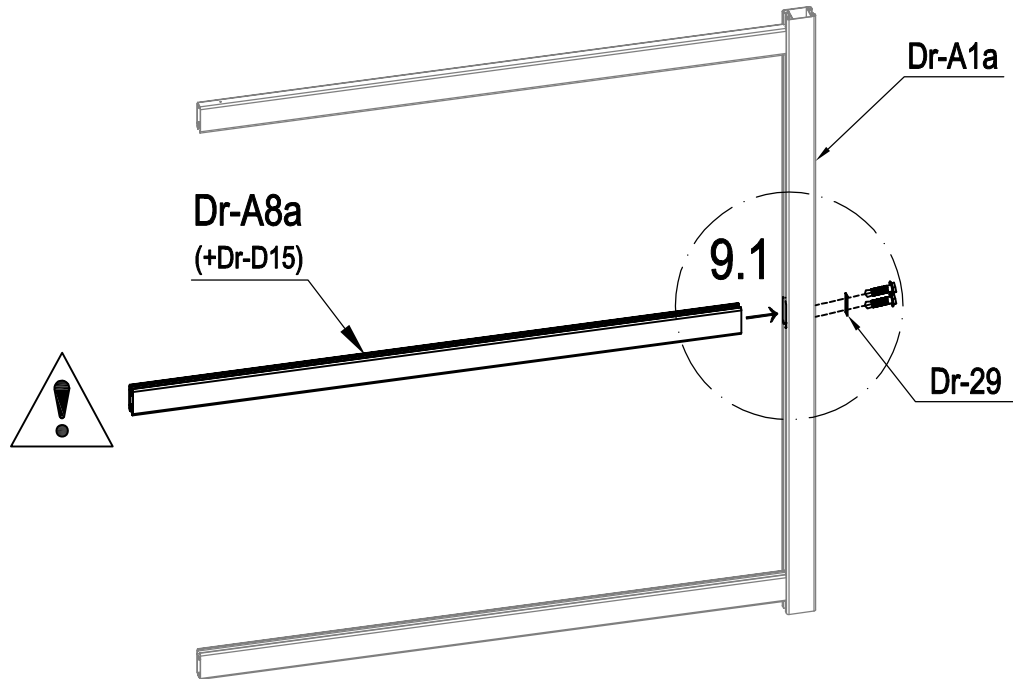


| | | |
|--|-------|---|
| | Dr-20 | 1 |
| | Dr-21 | 1 |
| | Dr-22 | 1 |
| | Dr-25 | 1 |

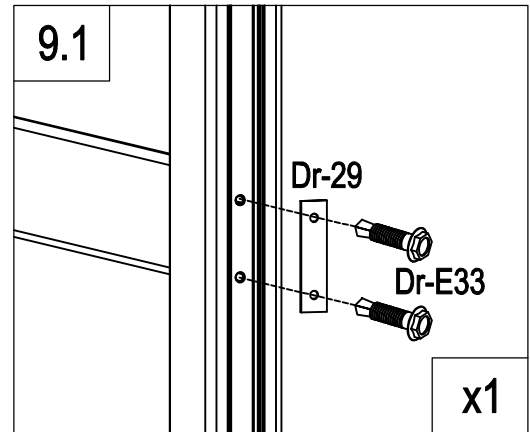
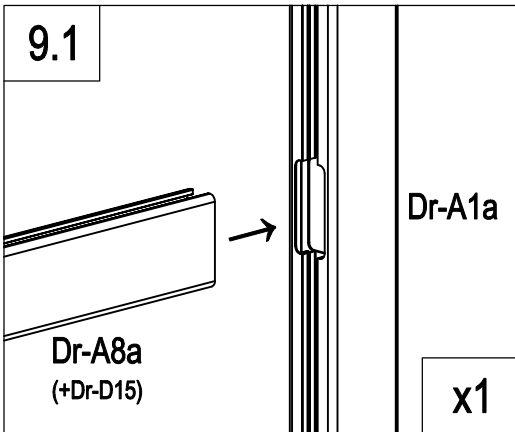
| | | |
|--|--------|---|
| | Dr-18 | 1 |
| | Dr-19 | 1 |
| | Dr-25a | 2 |
| | Dr-27 | 2 |

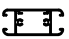




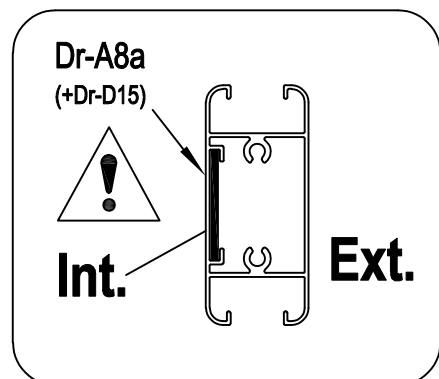
| | | |
|---|--------|---|
|  | Dr-A1a | 1 |
|  | Dr-A3 | 2 |
|  | Dr-28 | 2 |
|  | Dr-E33 | 4 |

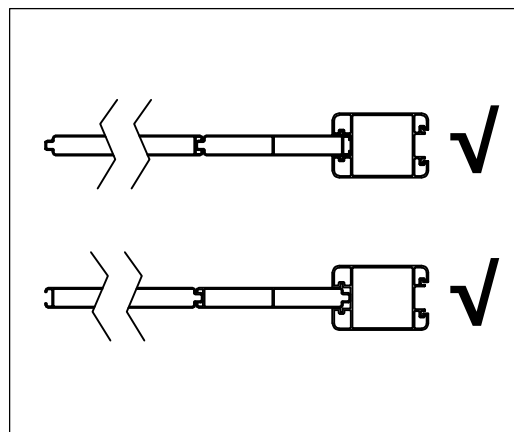
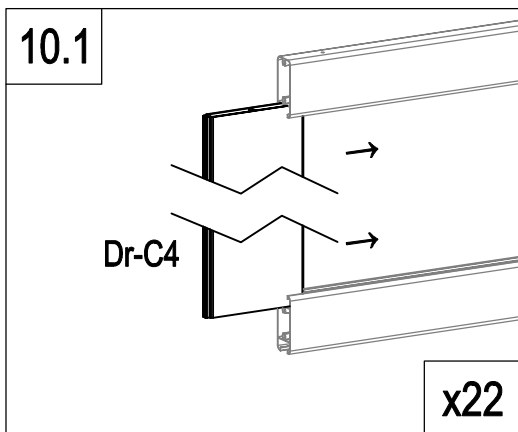
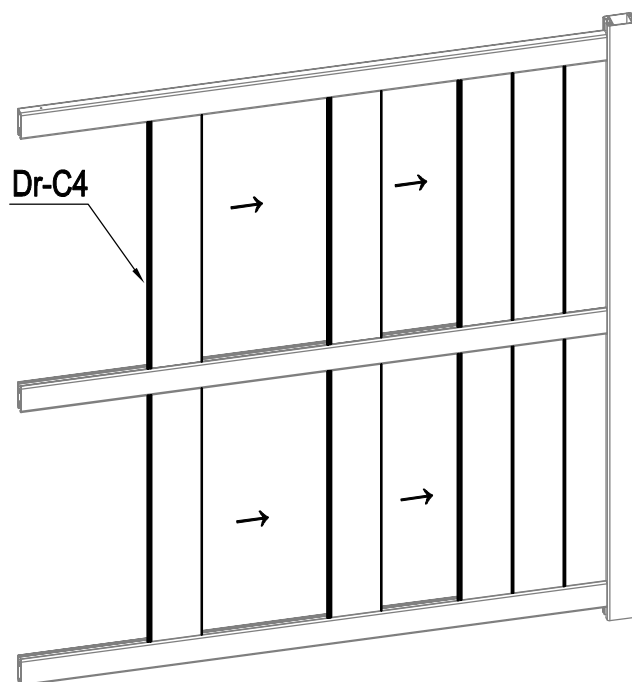


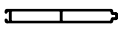
- EN: reinforced slat for automation
- FR: lame renforcée pour l'automatisation
- DE: verstärkte Lamelle für die Automatisierung
- ES: Lámina reforzada para la automatización
- PT: ripa reforçada para automatização
- IT: lamella rinforzata per l'automazione
- NL: versterkte lat voor automatisering
- PL: wzmocniona listwa do automatyzacji

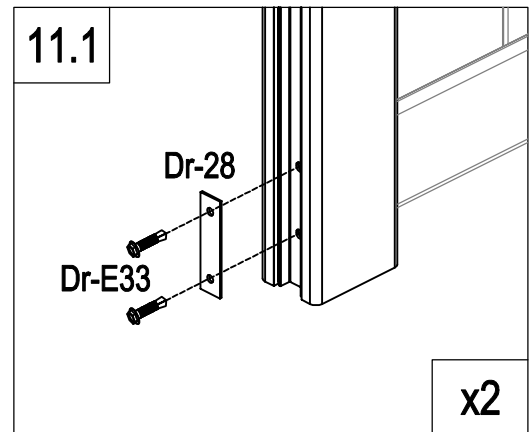
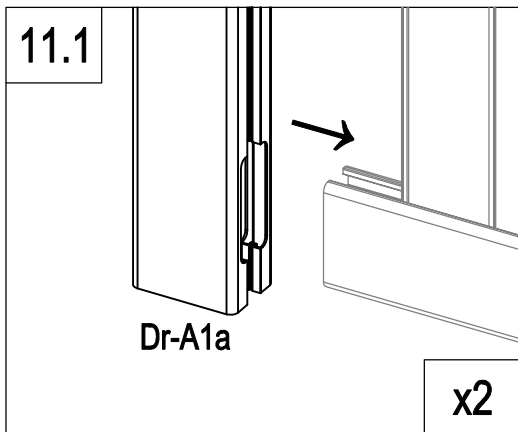
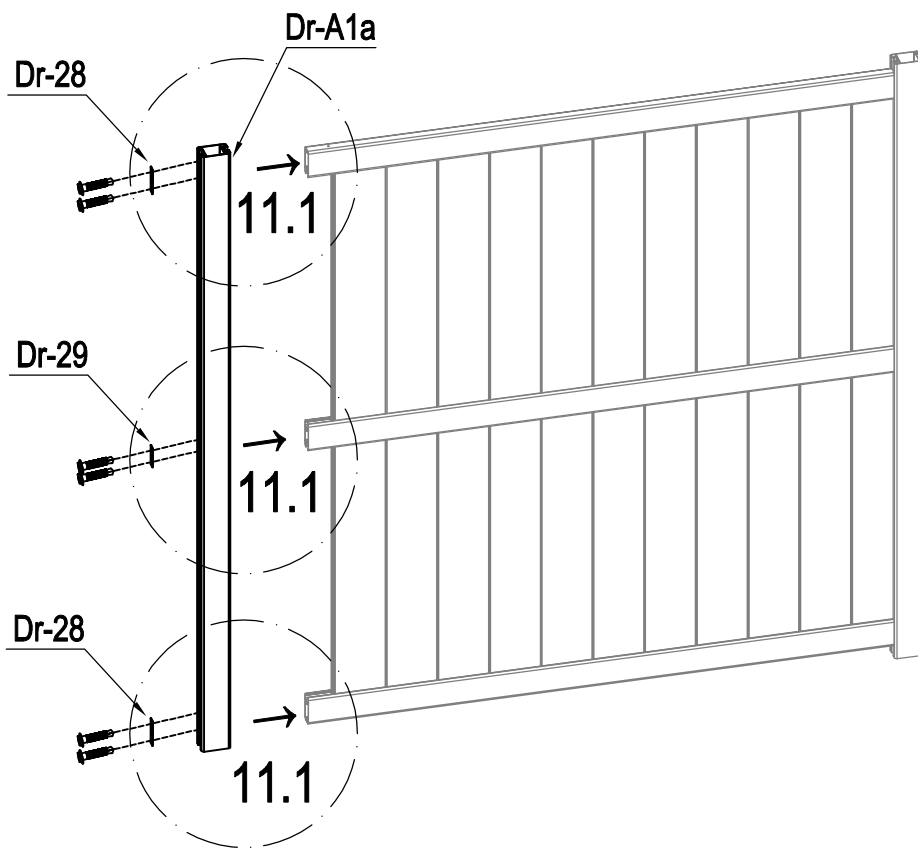






| | | |
|---|----------------------------|----------|
|  | Dr-A8a (+Dr-D15) | 1 |
|  | Dr-29 | 1 |
|  | Dr-E33 | 2 |

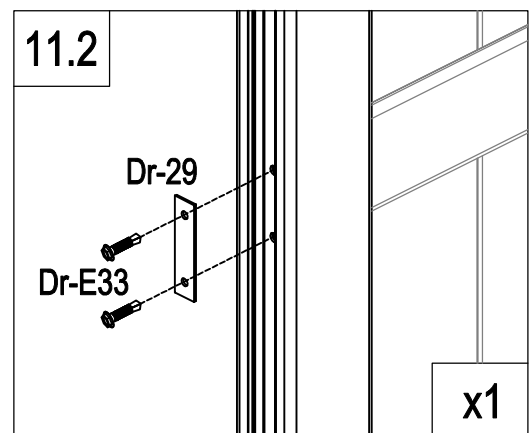


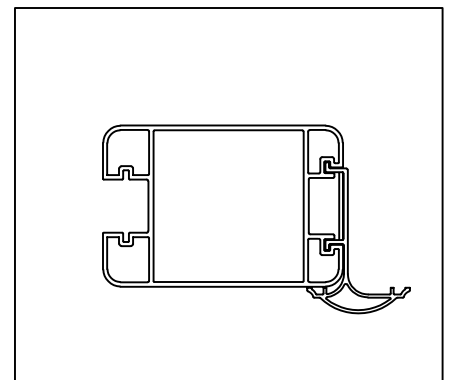
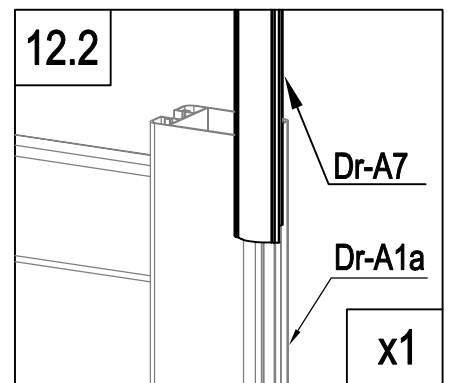
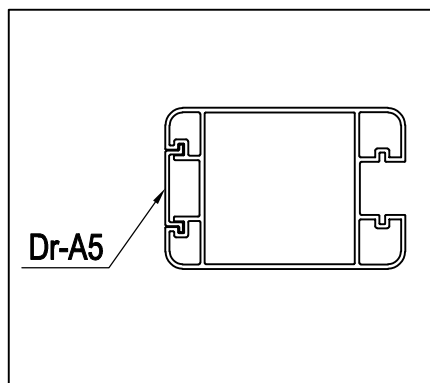
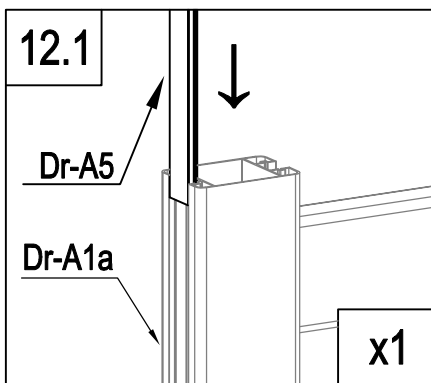
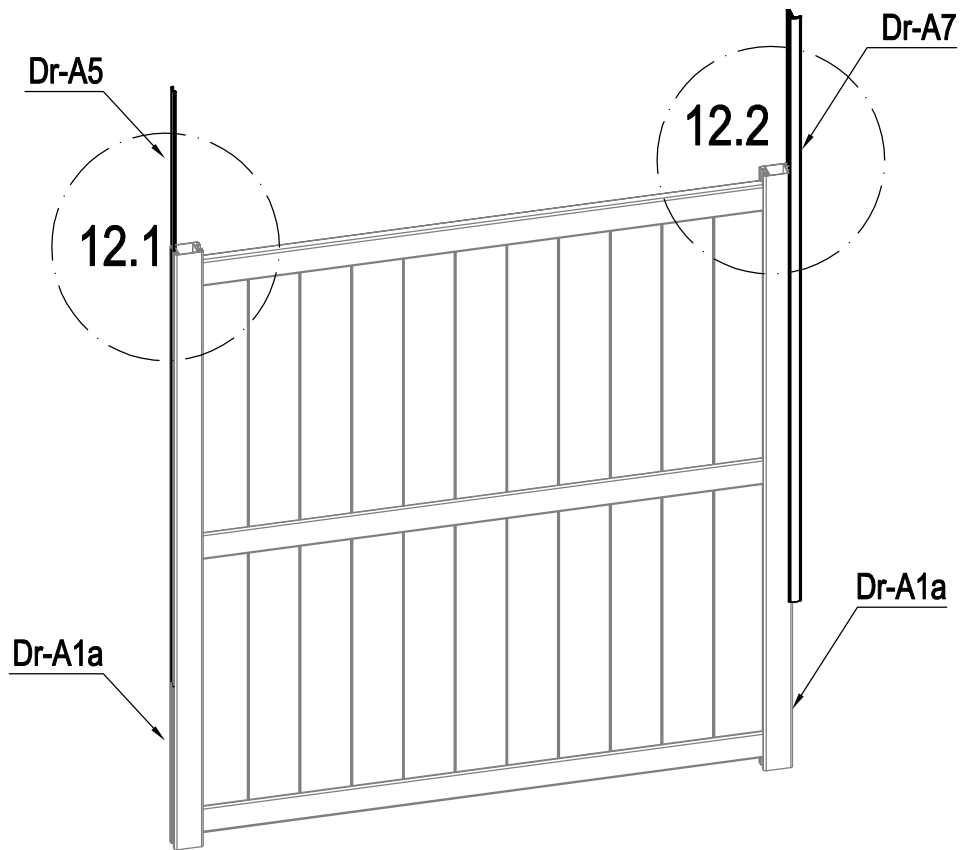


| | | |
|---|-------|----|
|  | Dr-C4 | 22 |
|---|-------|----|

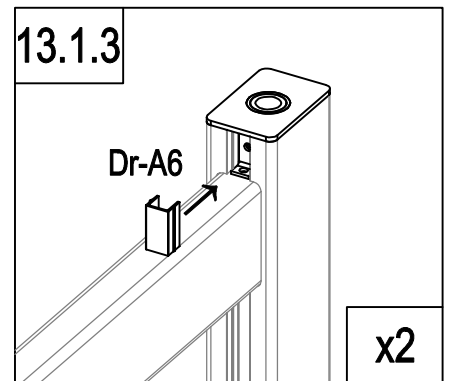
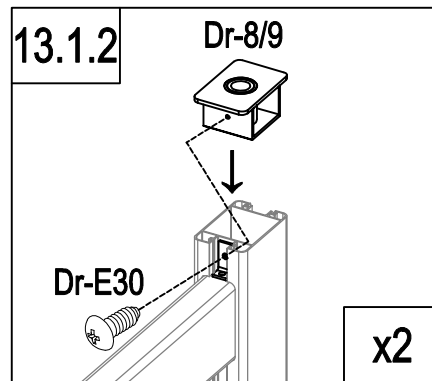
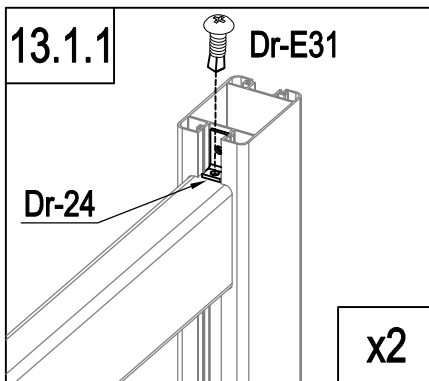
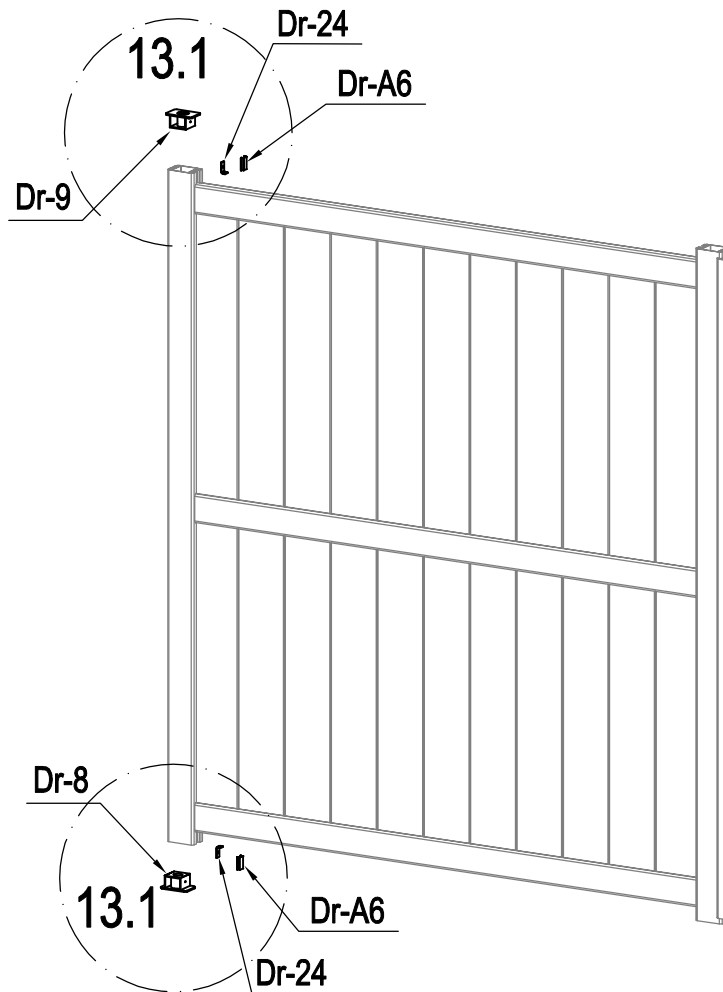


| | | |
|---|--------|---|
|  | Dr-A1a | 1 |
|  | Dr-28 | 2 |
|  | Dr-29 | 1 |
|  | Dr-E33 | 6 |



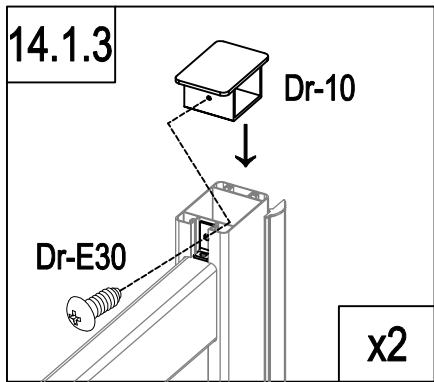
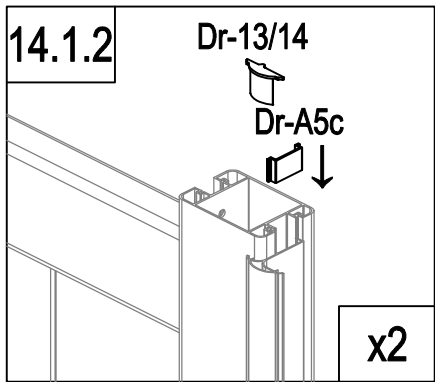
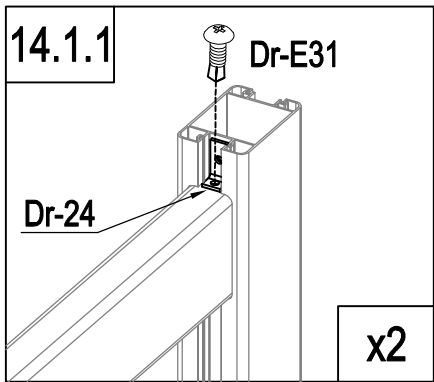
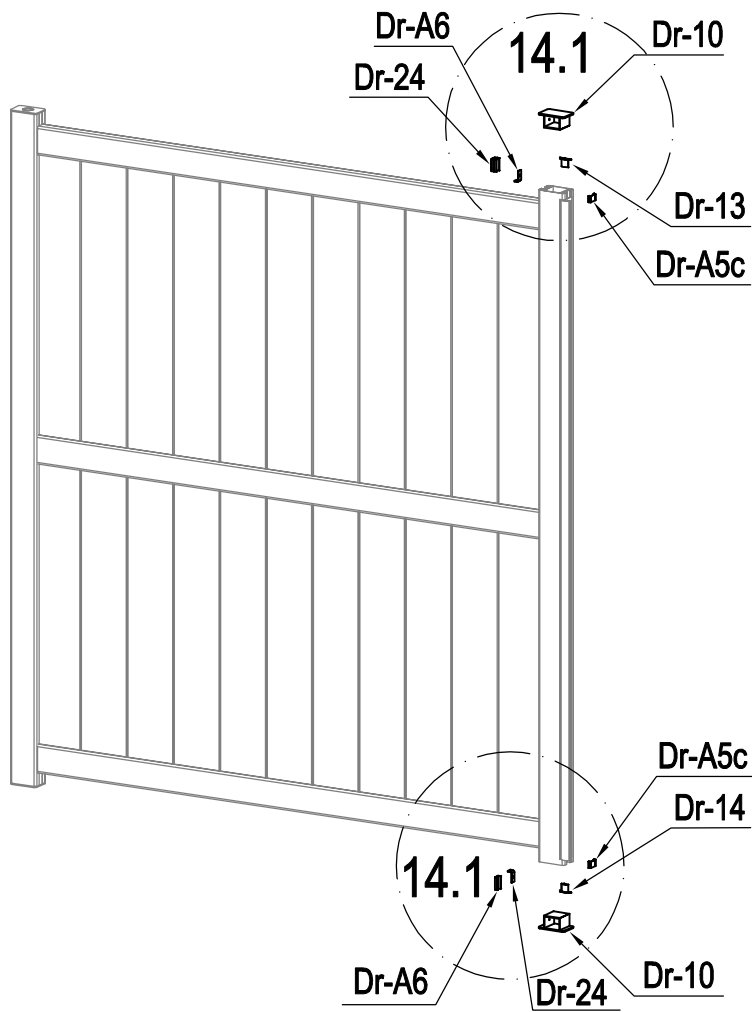


| | | |
|---|-------|---|
|] | Dr-A5 | 1 |
| ┌ | Dr-A7 | 1 |

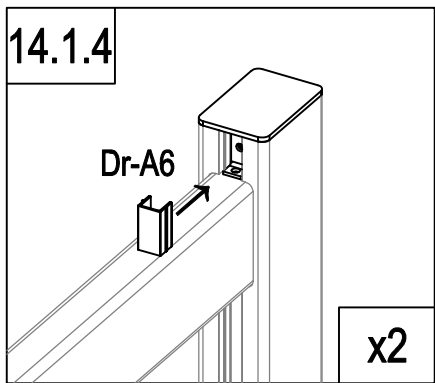


| | | |
|--|-------|---|
| | Dr-8 | 1 |
| | Dr-9 | 1 |
| | Dr-A6 | 2 |
| | Dr-24 | 2 |

| | | |
|--|--------|---|
| | Dr-E30 | 2 |
| | Dr-E31 | 2 |

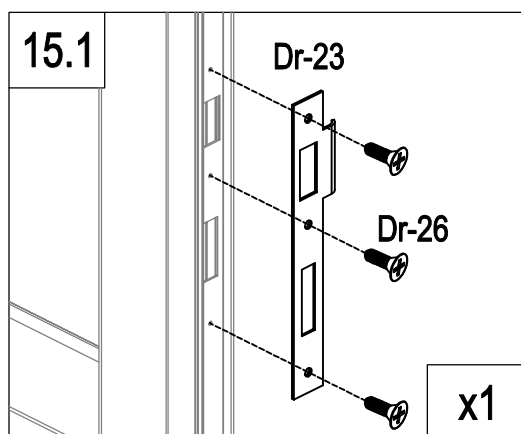
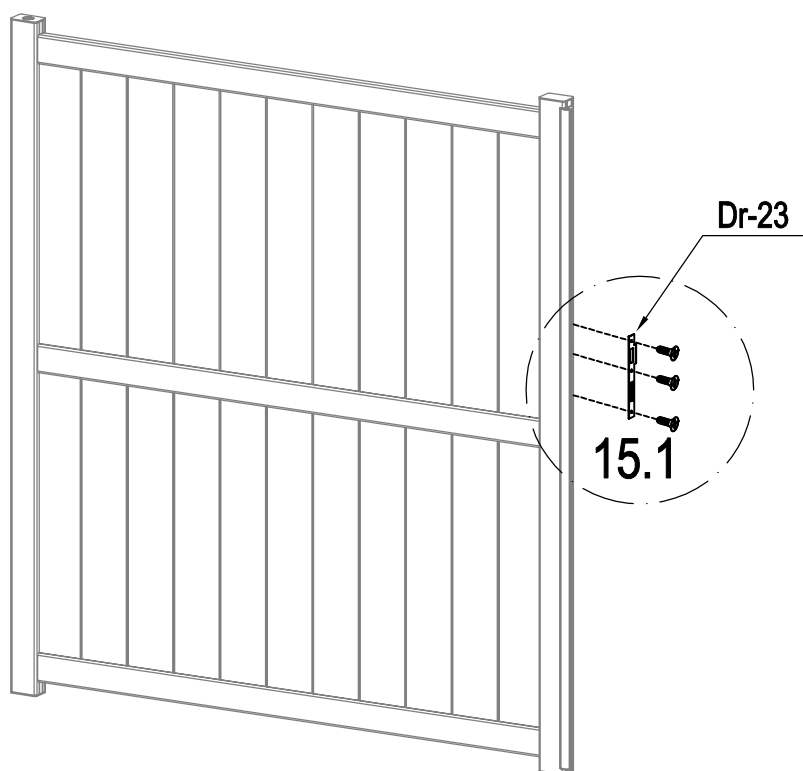




| | | |
|--|--------|---|
| | Dr-10 | 2 |
| | Dr-A6 | 2 |
| | Dr-24 | 2 |
| | Dr-A5c | 2 |

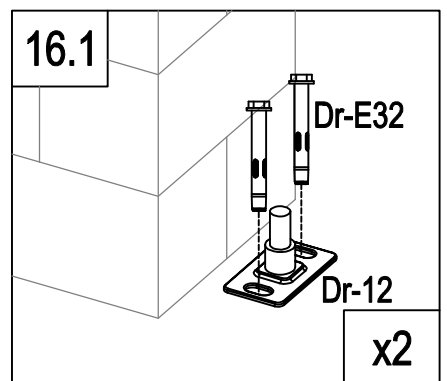
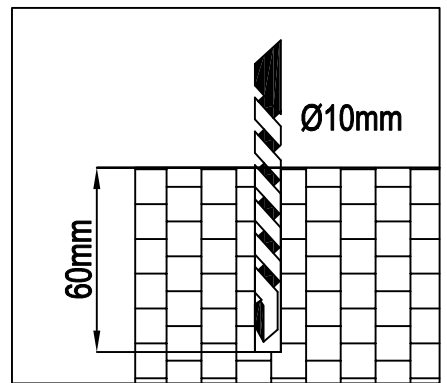
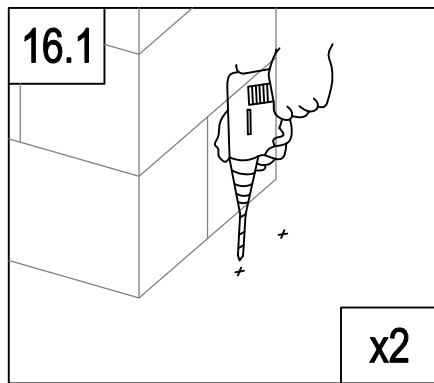
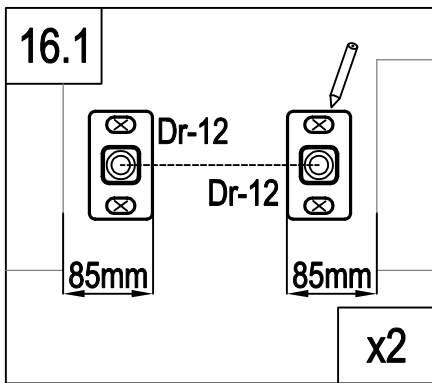
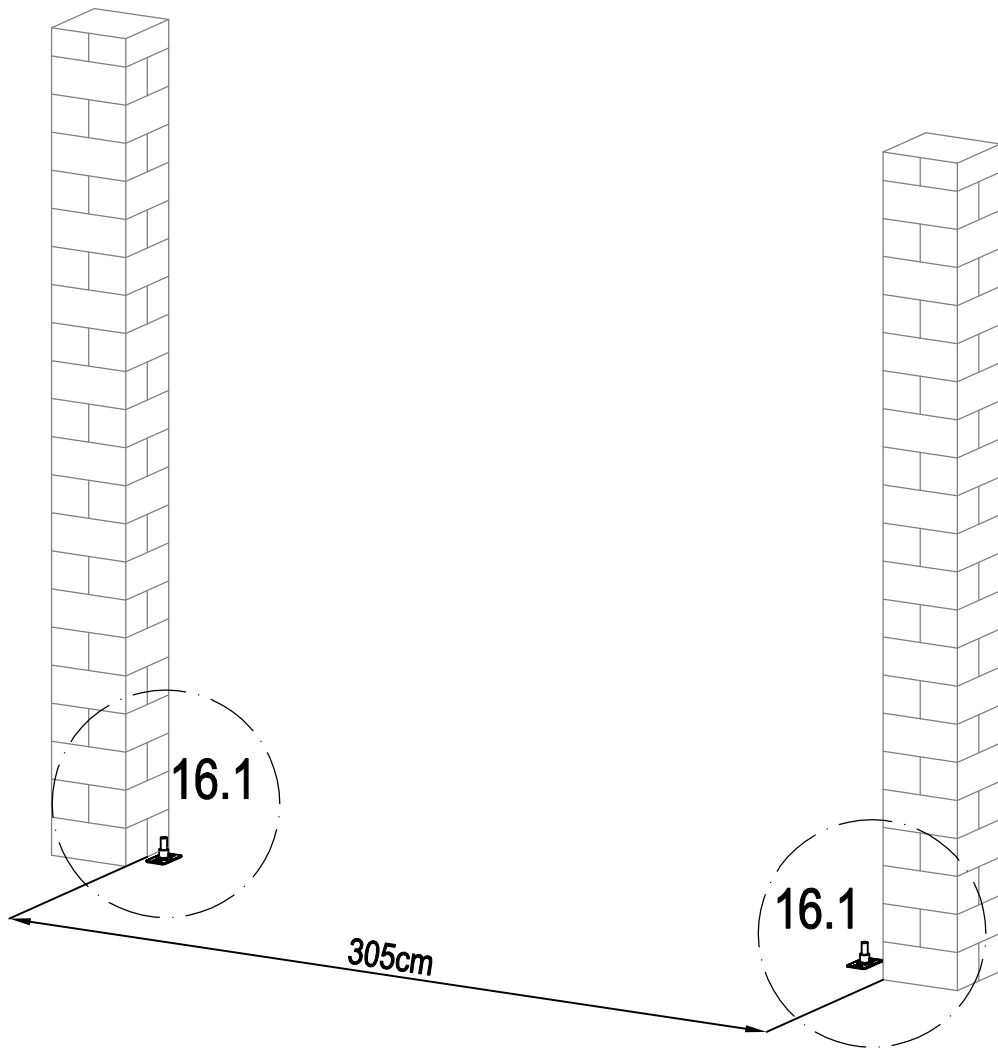


| | | |
|--|--------|---|
| | Dr-13 | 1 |
| | Dr-14 | 1 |
| | Dr-E30 | 2 |
| | Dr-E31 | 2 |

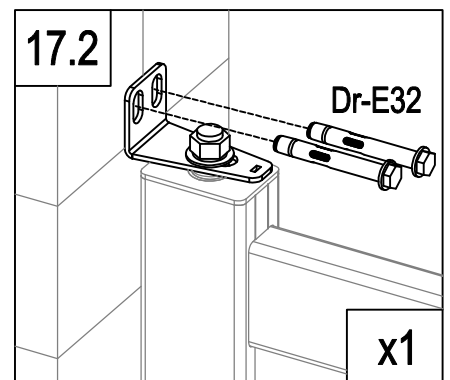
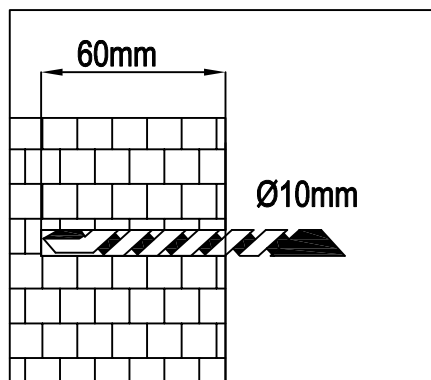
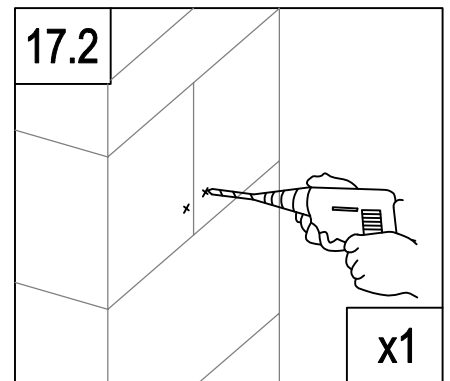
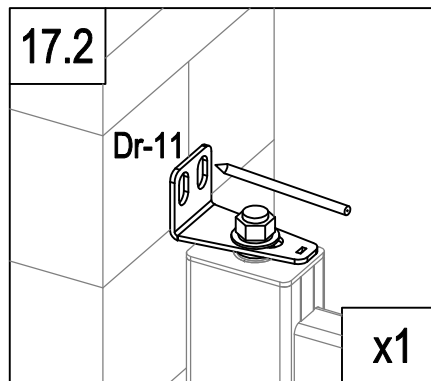
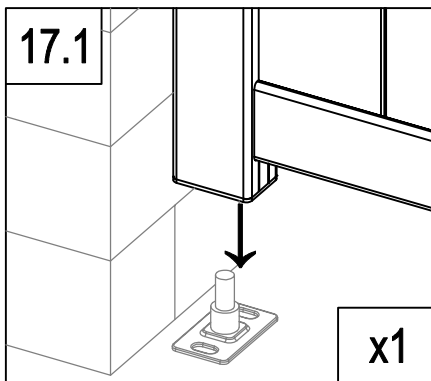
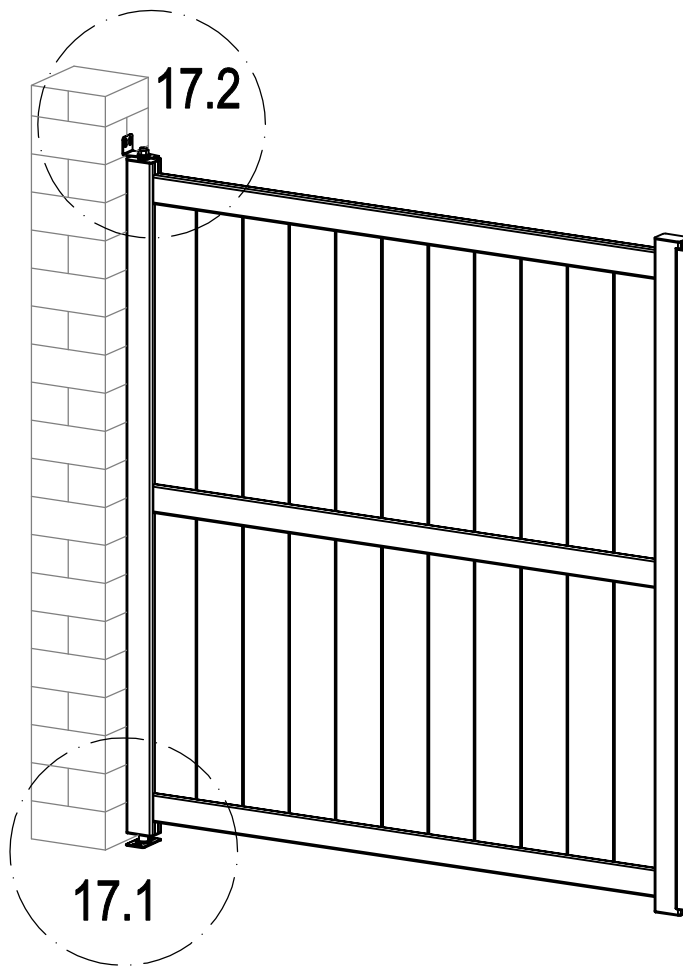
14





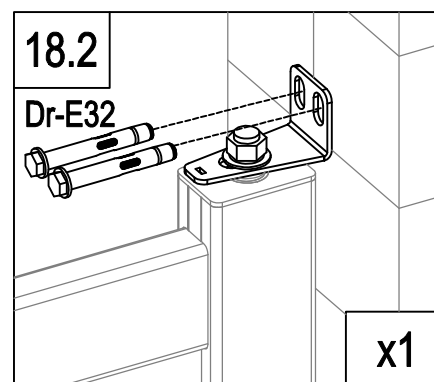
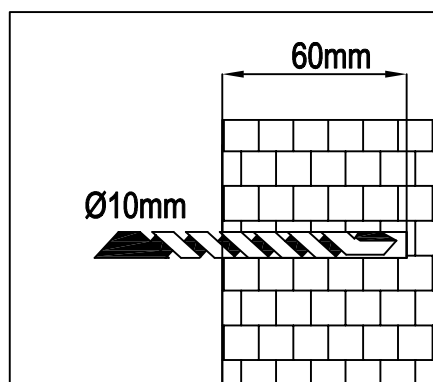
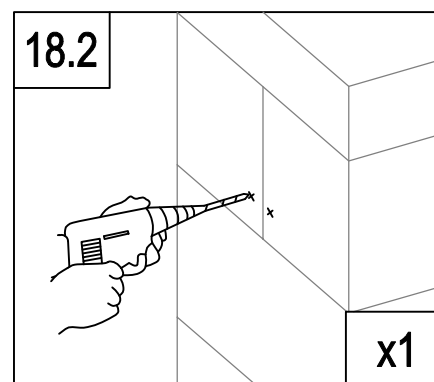
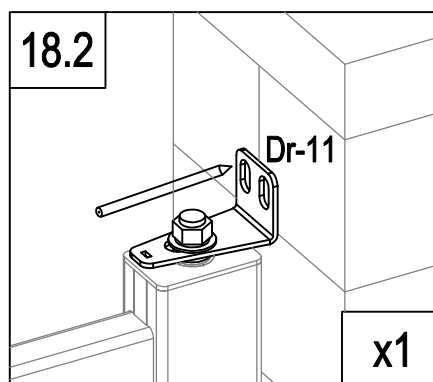
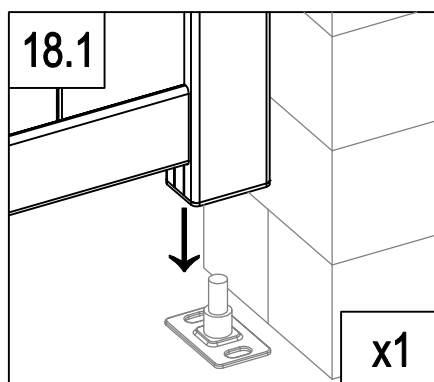
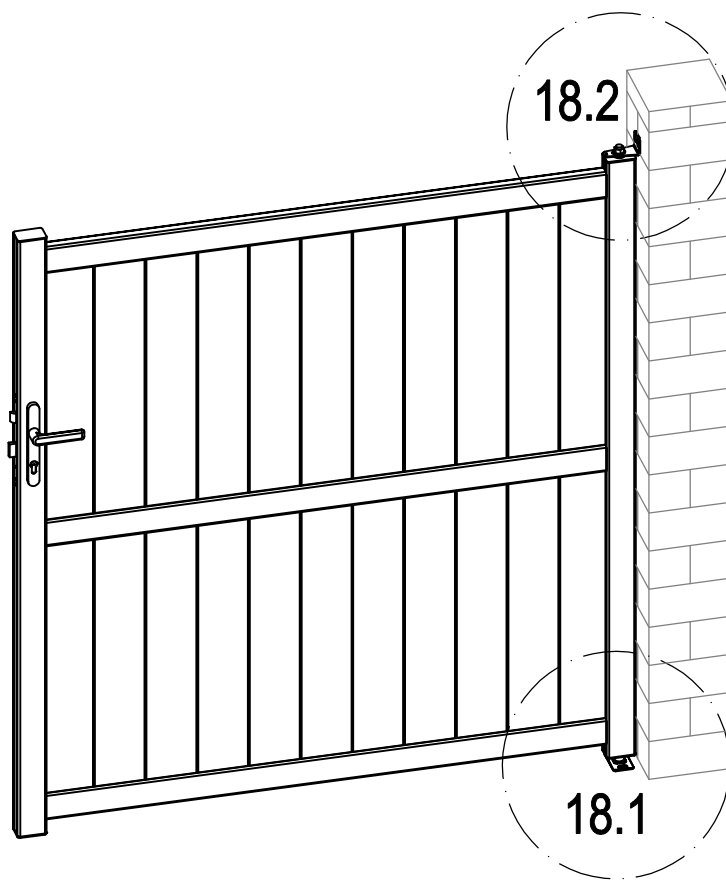
| | | |
|---|-------|---|
|  | Dr-23 | 1 |
|  | Dr-26 | 3 |





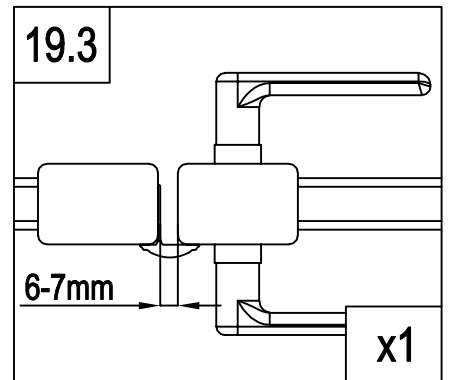
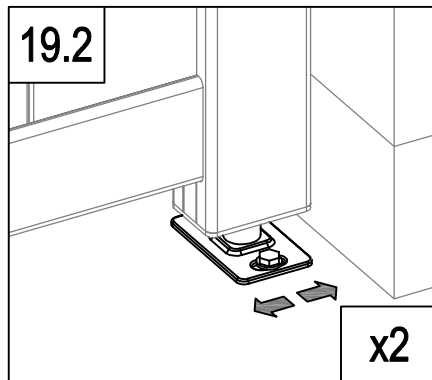
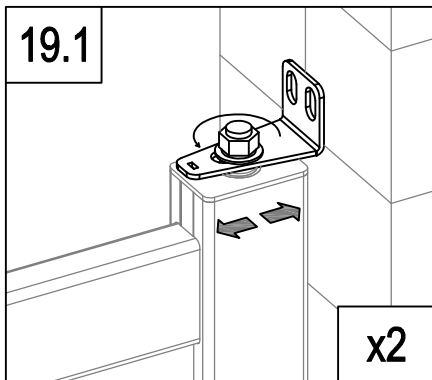
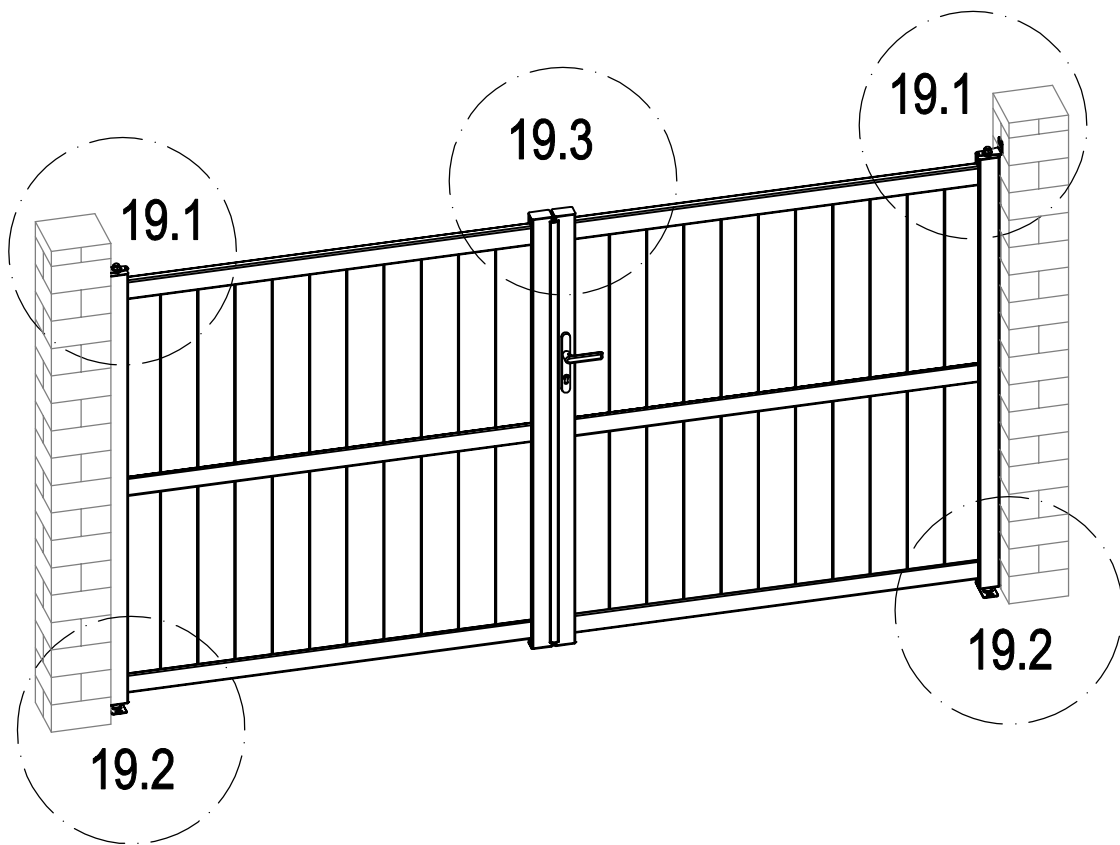
| | | |
|--|--------|---|
| | Dr-12 | 2 |
| | Dr-E32 | 4 |

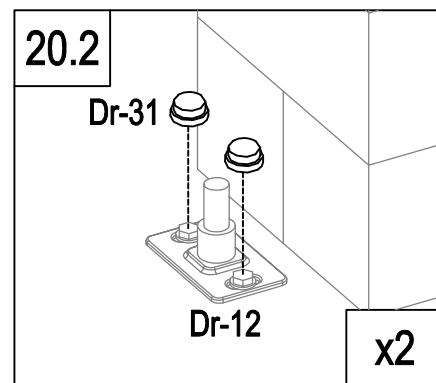
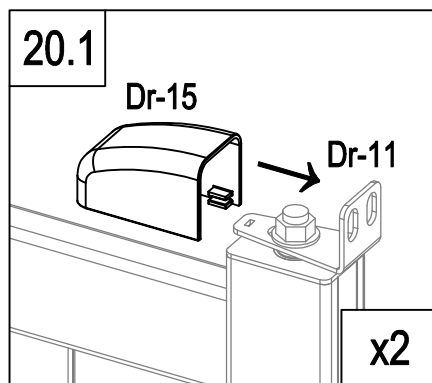
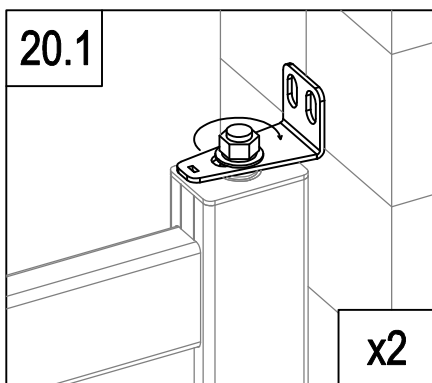
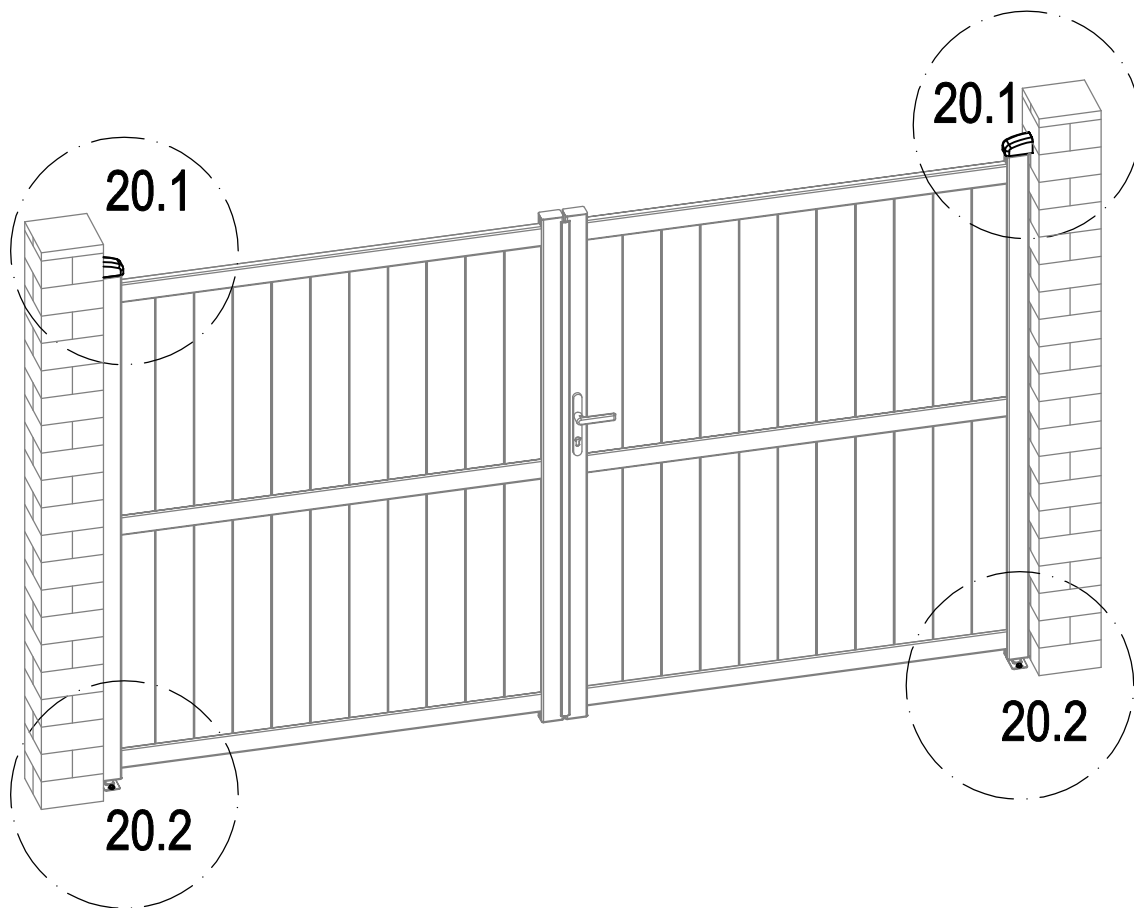




| | | |
|---|--------|---|
|  | Dr-11 | 1 |
|  | Dr-E32 | 2 |

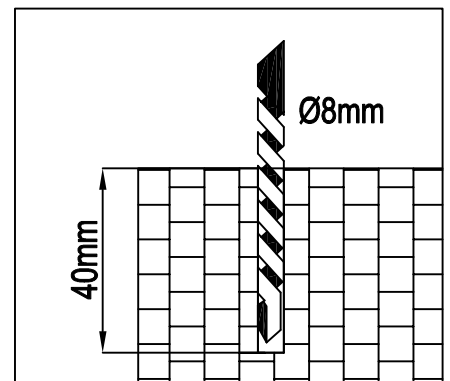
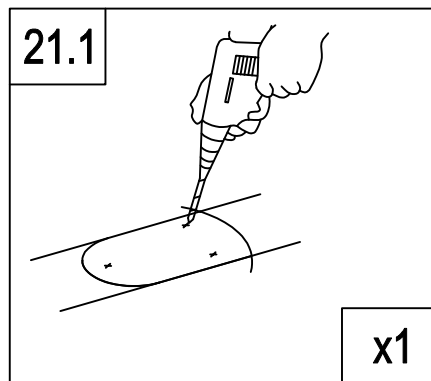
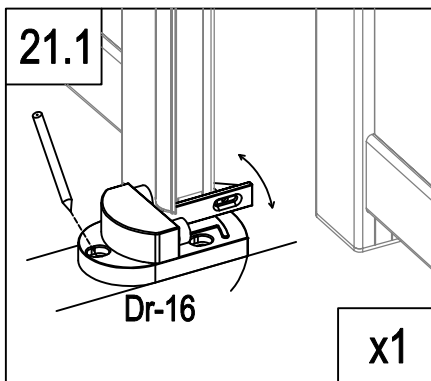
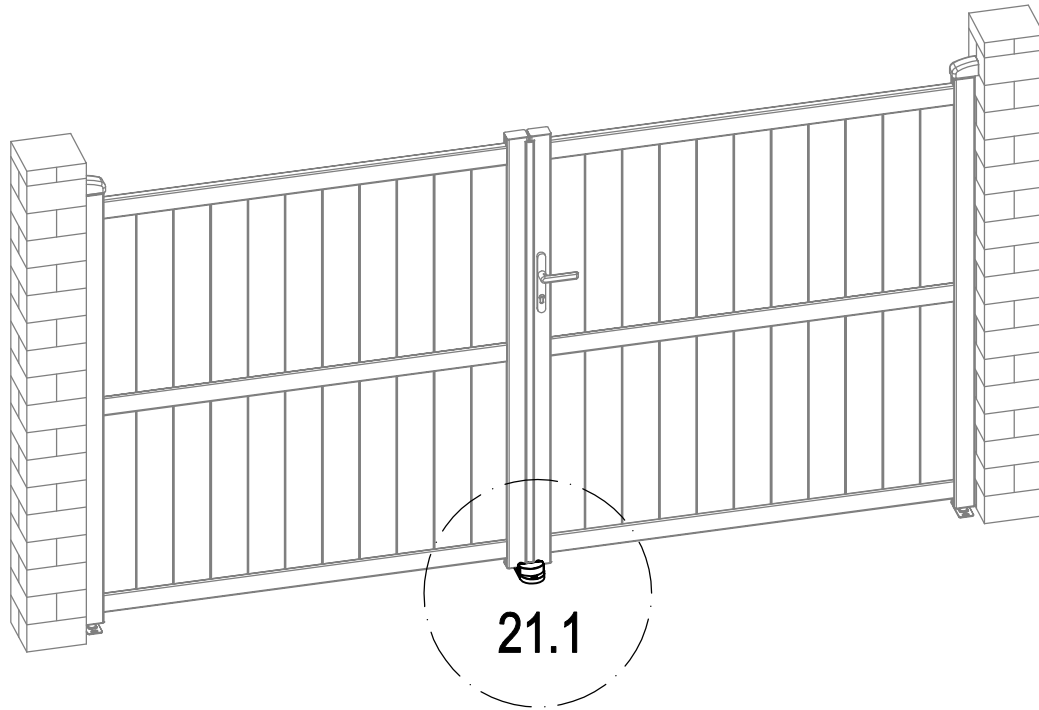


| | | |
|---|--------|---|
|  | Dr-11 | 1 |
|  | Dr-E32 | 2 |

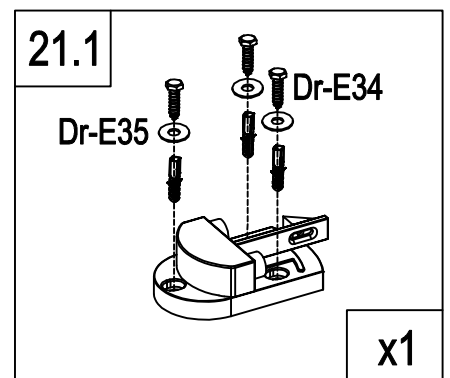


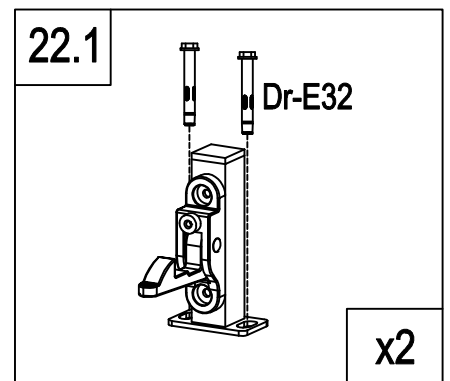
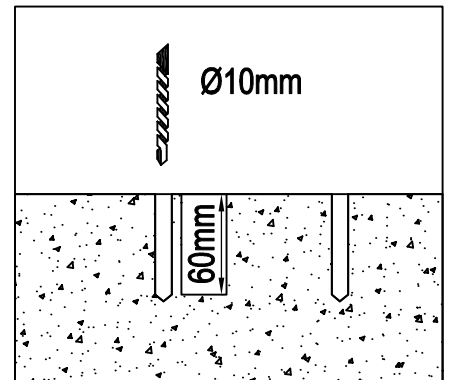
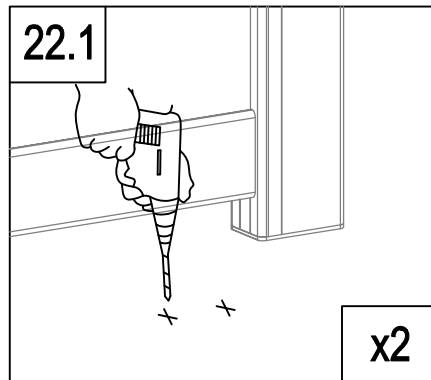
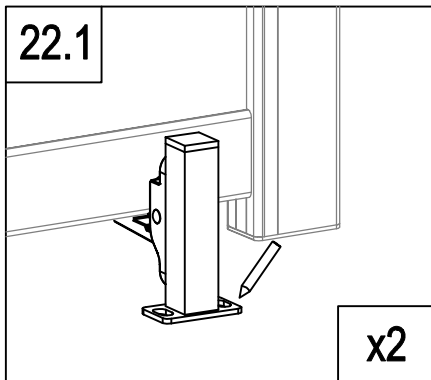
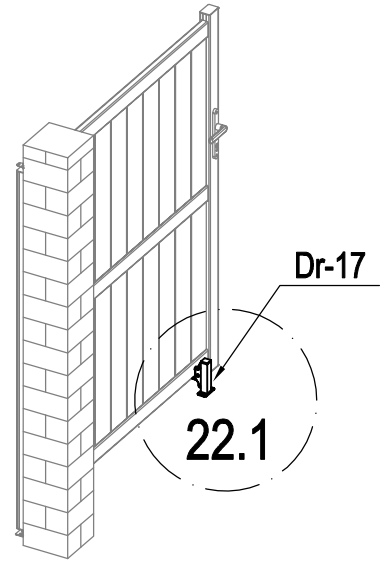
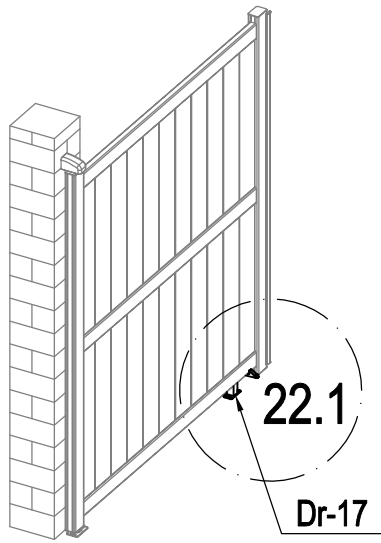




| | | |
|---|-------|---|
|  | Dr-15 | 2 |
|  | Dr-31 | 4 |



| | | |
|--|--------|---|
| | Dr-16 | 1 |
| | Dr-E34 | 3 |
| | Dr-E35 | 3 |





| | | |
|---|--------|---|
|  | Dr-E32 | 4 |
|  | Dr-17 | 2 |

Responsable de la commercialisation du produit / Company in charge of commercializing the product / Responsable de la comercialización del producto / Responsabile della commercializzazione del prodotto:

GECODIS SA

32, rue de paradis

75010, Paris, France

Service commercial/ Commercial service/ Servicio comercial / Servizio commerciale :

Habitatetjardin.com

32, rue de paradis

75010, Paris, France

Assistance : +33 (0) 1 47 70 33 64

Service après-vente/ After sale services/ Servicio post-venta / Servizio dopo vendita:

GECODIS SA

32, rue de paradis

75010, Paris, France

<http://sav.habitatetjardin.com>